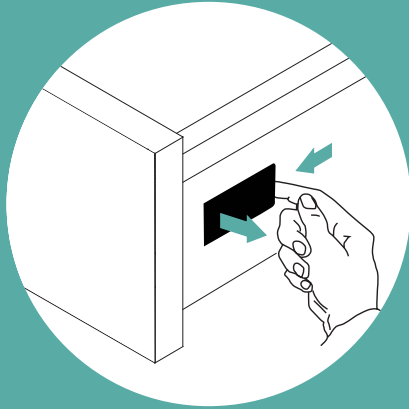


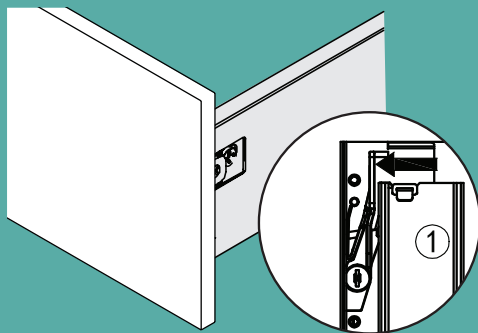
How to Identify Your Drawer Style?



Unclip cover to see which mechanism underneath to match to corresponding diagram below.

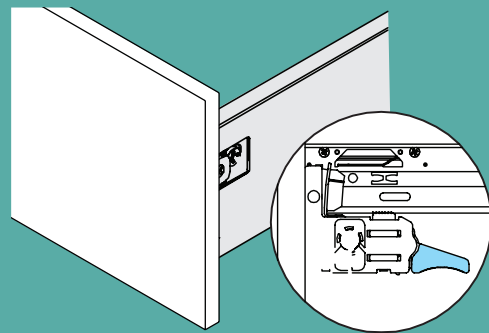
NOTE: Magic Box and Regic runners share the same under-tab adjustment. Check underneath the drawer, a blue release clip means Magic Box; no blue clip means Regic.

Regic



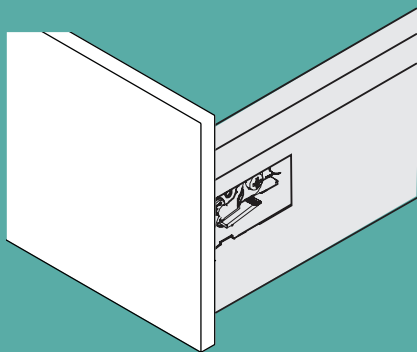
Pictured underneath, no blue release clip.

Magic Box

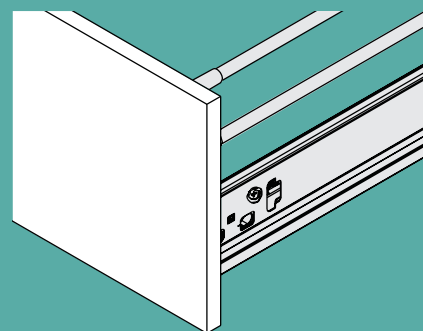


Pictured underneath, blue release clip.

Harn Drawers



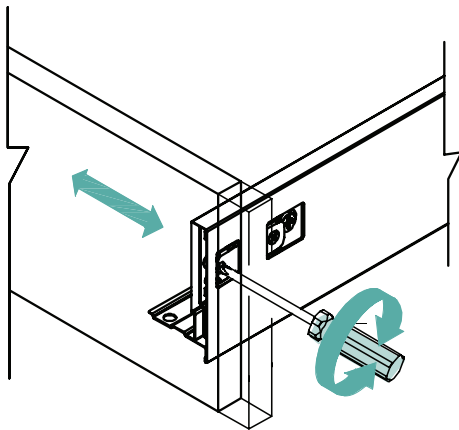
DTC Drawers



REGIC DRAWER ADJUSTMENT

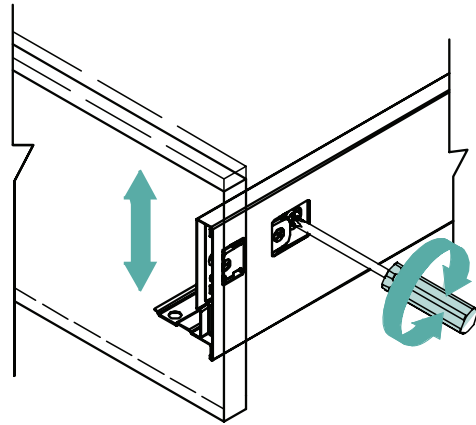
Left/Right Adjustment

You can adjust the drawer left or right by turning the front screw clockwise or counter clockwise to the desired position.



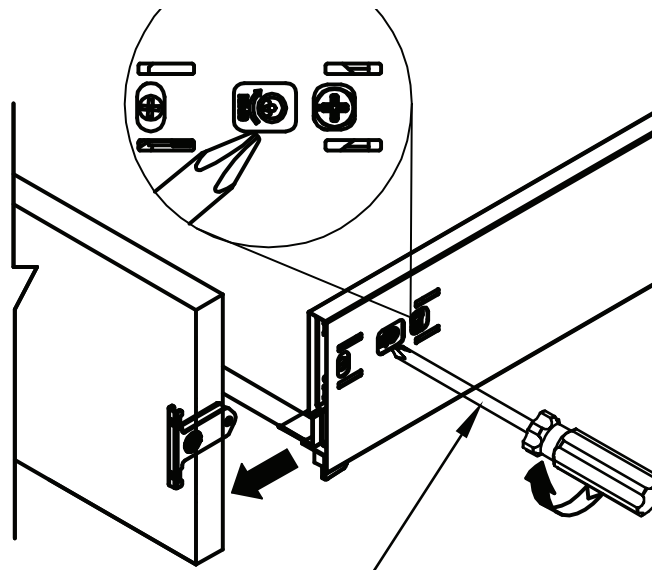
Up/Down Adjustment

To adjust the doors up or down, turn the back screw clockwise or counter clockwise to the desired position.



Drawer Front Removal

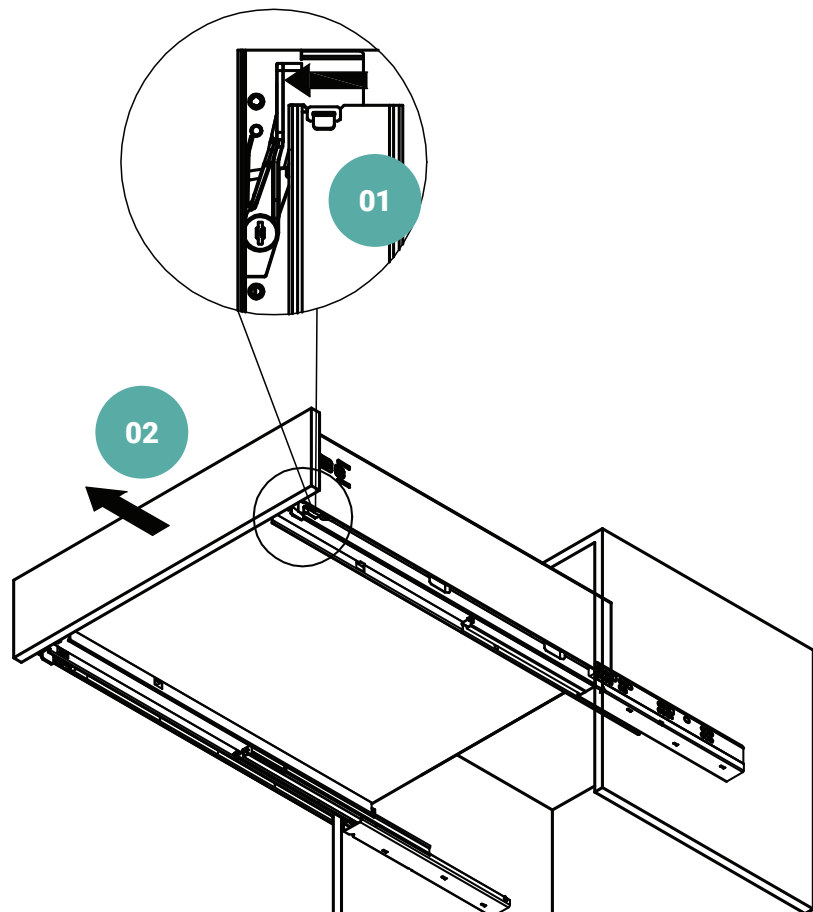
You can take the drawer front off by turning the screw right.



REGIC DRAWER REMOVAL

Drawer Removal

1. Press in the handle on the bottom of the drawer.
2. Pull the drawer out fully.



ⓘ When reinstalling, push the drawer fully in to engage the soft close mechanism.