

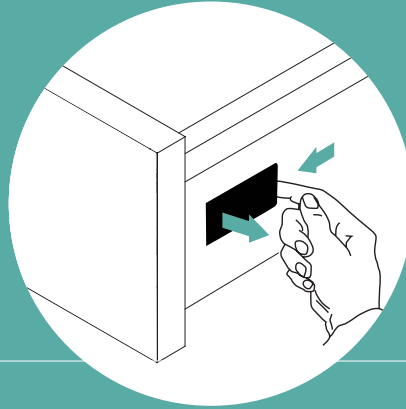
BATH/
CO/

/MAGIC BOX DRAWER RUNNER INSTRUCTIONS

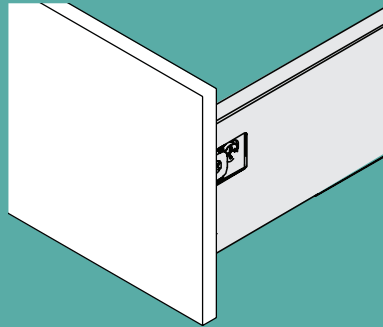


How to Identify Your Drawer Style?

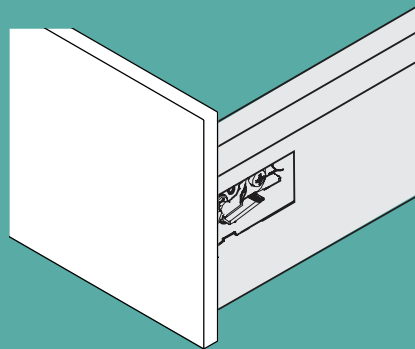
Unclip cover to see which mechanism underneath to match to corresponding diagram below.



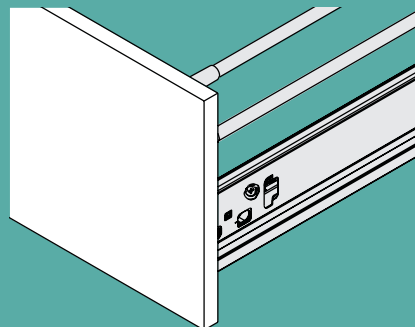
Magic Box



Harn Drawers



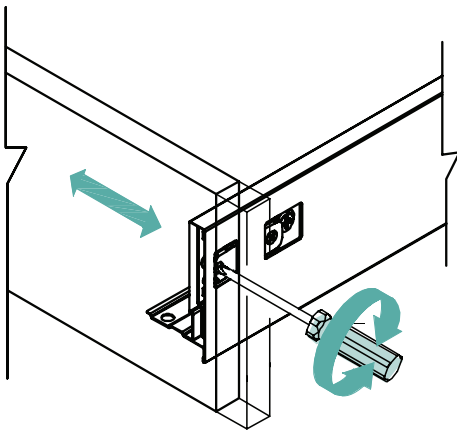
DTC Drawers



MAGIC BOX DRAWER ADJUSTMENT

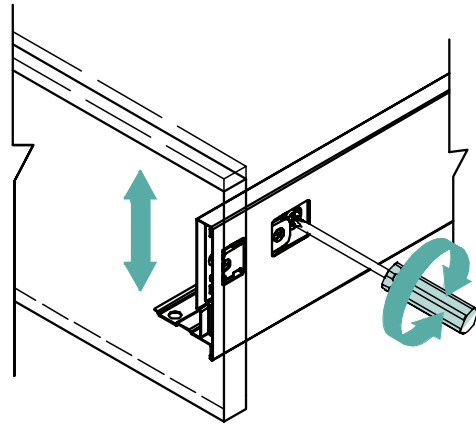
Left/Right Adjustment

You can adjust the drawer left or right by turning the front screw clockwise or counter clockwise to the desired position.



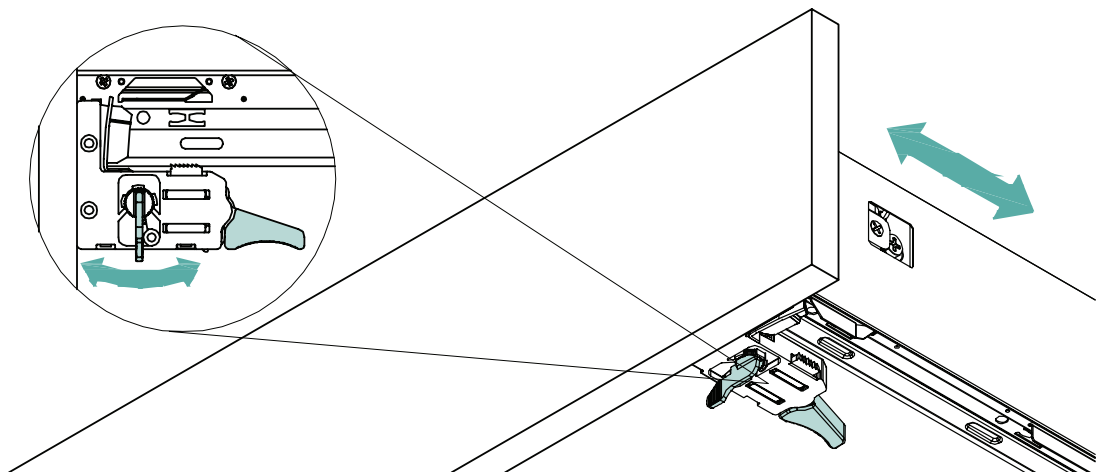
Up/Down Adjustment

To adjust the doors up or down, turn the back screw clockwise or counter clockwise to the desired position.



In/Out Adjustment

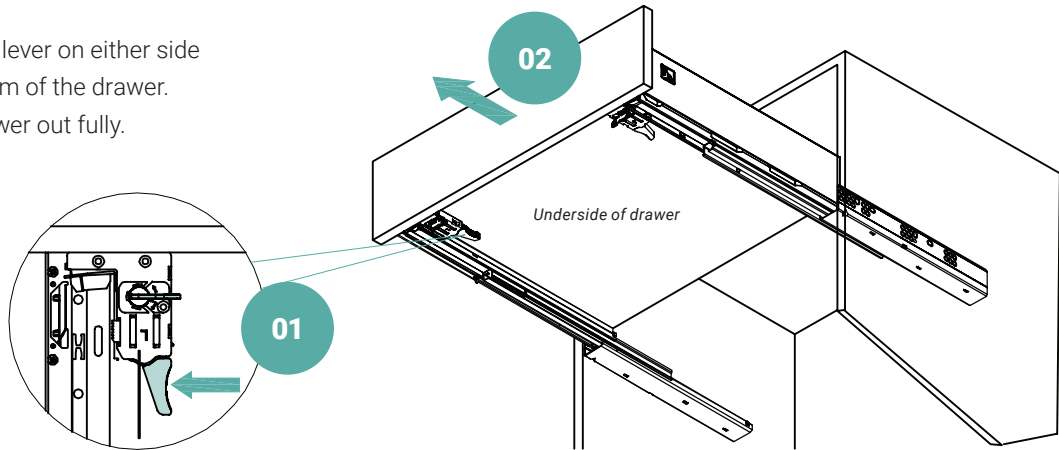
You can adjust the drawer front in or out by pushing or pulling the lever at both sides of the bottom of the drawer.



MAGIC BOX DRAWER REMOVAL

Drawer Removal

1. Press in the lever on either side of the bottom of the drawer.
2. Pull the drawer out fully.



! When reinstalling, push the drawer fully in to engage the soft close mechanism.

FRONT PANEL DISASSEMBLY

1. Pull clip off both sides of drawer.
2. Unscrew mechanism to pull front panel away.

