

# LAUNDRY INSTALLATION INSTRUCTIONS



Before installation read all instructions carefully.

## IMPORTANT

All goods must be checked prior to installation. If defects are found due to manufacturing faults then goods **MUST NOT** be installed.

The merchant must inform Bath Co if there is a manufacturing defect prior to installation being carried out. Bath Co will replace the item, however, the installation costs will be the responsibility of the installer. When installing the cabinets – the drawers and doors may need to be adjusted, due to movement throughout carrying the goods. Please view the instructions on the following pages for hinge & drawer adjustments. Any wall to which product is fixed must be of suitable construction to support that product's weight.



It is recommended that a qualified, licensed trades person install your units.

Our installation guide for laundry furniture is intended as a general reference only. We strongly recommend using a qualified, licensed tradesperson to install your units. Due to variations in laundry spaces, plumbing, and electrical configurations, we cannot be responsible for any issues arising from site-specific conditions. For a safe and accurate installation, please rely on a licensed professional

## IMPORTANT

# Before You Install

Please read carefully. It is recommended that a qualified, licenced trades person install your unit/s.

## Check Products for Any Damages

Prior to installation it is important to inspect the unit to ensure no damage has occurred in transit. If damage has occurred, or a visible defect exists, do not proceed with installation and advise supplier immediately. **Note: Manufacturer will not be liable for any installation, removal or re-decorating costs. The warranty will be null and void if damage occurred during or after installation.**

---

## Check Beams & Nogs for Fixing

Locate the wall studs and nogs, ensuring all cabinets are securely attached to either a stud or nog for stability.

---

## Check The Wall & Floor Is Level

Check the wall & floor is straight, (not bowed or twisted). Ensure unit is square against the wall or floor before securing. Door and drawer alignment could be affected otherwise.

---

## Measure & Mark Utility Connections

Mark the locations for water, waste, and electrical connections on the wall and cabinetry.

## Helpful Tips

- » Regularly check your levels during installation.
- » Ensure your kickboard heights are level
- » It is the installer's responsibility to make any necessary adjustments to doors and drawers after installation.
- » Use cabinet connectors to join all base cabinets, utility cabinets, and Washer/Dryer stacker kits before fixing them to the wall.
- » Remove all doors and drawers before installation to avoid damage to panels.
- » Do not slide or drag cabinets; always lift them to prevent damage.
- » A licensed plumber is required to install all tapware and plumbing to sinks.

# Step-By-Step Guide

01

## Where To Start From?

Decide where to begin your installation based on your laundry's layout.

**Refer to the images across to choose the best starting point.**

01

## Install All Floor-Standing Cabinetry

**Refer to Page 4 for Complete Instructions**

01

## Install Benchtop

**Refer to Page 4 for Complete Instructions**

01

## Install Top Cabinets, Open Shelves & Floating Shelves

**Refer to Page 5 for Complete Instructions**

01

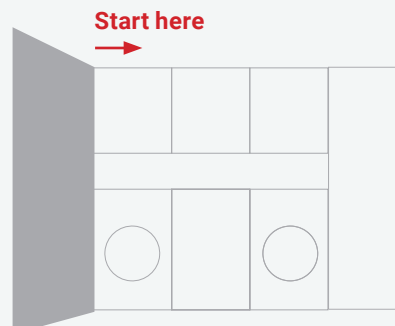
## Install End Panels & Packer Panels

01

## Install Toe Kick

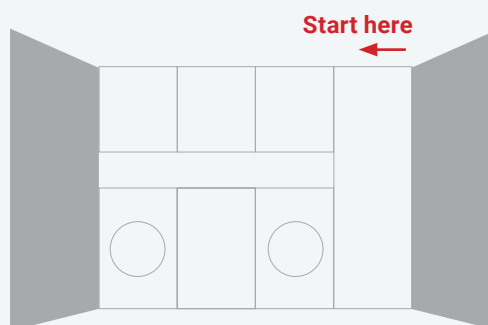
**Refer to Page 9 for Complete Instructions**

### Corner Laundry



If your laundry is against a wall or in a corner, begin installation from this wall or end

### Nook or Wall Laundry



If your laundry is between two walls, begin installation with the Utility Cabinet or Stacker Cabinet Kit. If you don't have these taller units, start from either side.

# Base Cabinets, Stacker Kit & Utility Cabinet Installation

## 1. Measure & Position

Measure and position all laundry cabinets carefully to ensure proper alignment before beginning installation

---

## 2. Join Floor Standings Cabinets together

Use cabinet connectors to join adjoining cabinets securely, including any utility or stacker cabinets.

**See Page 7 for how to assemble the stacker kit prior to installing.**

---

## 3. Fasten Cabinets to wall

Fasten each cabinet to the wall studs or nogs for secure anchoring. Attach end panels and filler panels as needed for a finished look. It is recommended to fasten at the top and bottom of each cabinet

---

## 4. Cut Openings for Plumbing and Electrical

Based on your earlier markings, create openings in the cabinetry for water supply, waste pipes, and any electrical outlets.

**For safety and compliance, have a qualified plumber and/or electrician connect tapware, waste pipes, and power outlets as required.**

---

# Installing & Securing Benchtops

**Important – All overhanging Kordura tops need to be supported by a bench bracket on both back and side walls. We recommend it is installed by a qualified trades person.**

## 1. Dry Fit the Benchtop

Place the benchtop on top of the cabinets to check that it fits perfectly and aligns with the walls and cabinet edges.

---

## 2. Secure the Benchtop

Secure the bench by attaching brackets or support strips to the wall and, if applicable, to any end panels. The brackets or support strips must always be fixed to the wall.

---

## 3. Apply Sealant

Use silicone along the edges where the benchtop meets the wall to prevent moisture from seeping through.

# Top Cabinets, Open Shelves & Floating Shelves Installation

## Top Cabinets & Open Shelves

### 1. Join Top Cabinets Together

Fasten each cabinet to the wall studs or nogs for secure anchoring. Attach end panels and filler panels as needed for a finished look. It is recommended to fasten at the top and bottom of each cabinet

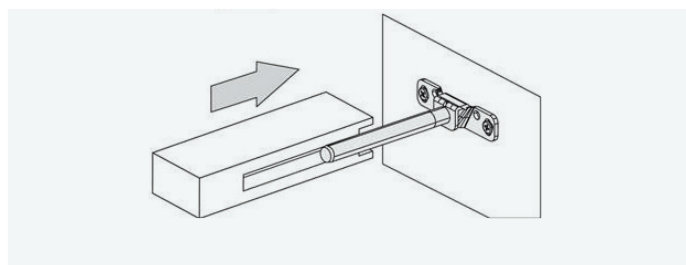
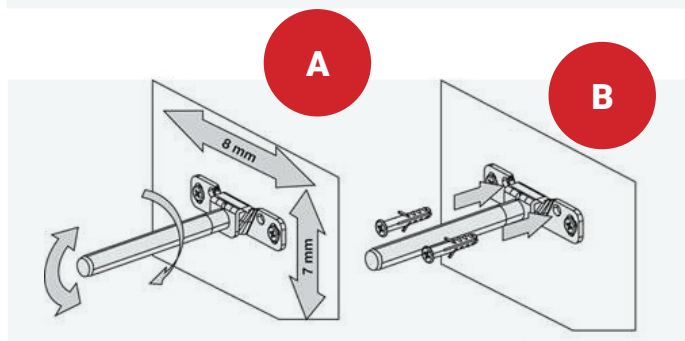
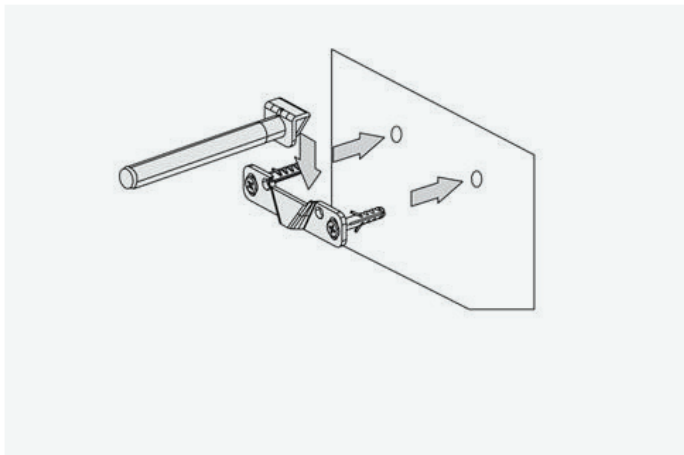
### 2. Position

Fasten each cabinet to the wall studs or nogs for secure anchoring. Attach end panels and filler panels as needed for a finished look. It is recommended to fasten at the top and bottom of each cabinet

### 3. Fasten To The Wall

Fasten each cabinet to the wall studs or nogs for secure anchoring. Attach end panels and filler panels as needed for a finished look. It is recommended to fasten at the top and bottom of each cabinet

## Floating Shelves



### 1. Measure & Mark

Use a spirit level to mark a straight line on the wall for accurate shelf placement. Align the shelf bracket along the line, using the pre-drilled holes as guides, and mark the screw hole locations with a pencil."

### 2. Getting Your Wall Ready

Now it's time to drill. If attaching to studs, brick, or concrete, drill a pilot hole using a bit slightly smaller than the screws. For plasterboard, you may need to use an anchor (provided with the shelves). Drill a hole slightly smaller than the anchor, then gently tap it into place.

### 3. Affixing Your Bracket & Metal Dowel

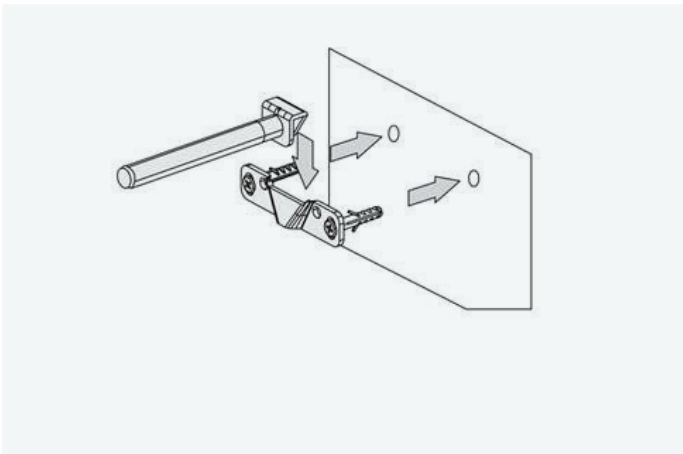
A. With pilot holes or wall plugs ready, insert the metal dowels into the bracket and turn clockwise.

B. Hold the bracket against the wall, partially insert the first screw for adjustments, then secure and tighten all screws to fix the bracket firmly in place.

### 4. Mounting Your Shelf

Finally, the easy part—lift the shelf and slide it onto the bracket, making sure it's securely in place on the metal dowel.

# Floating Shelves

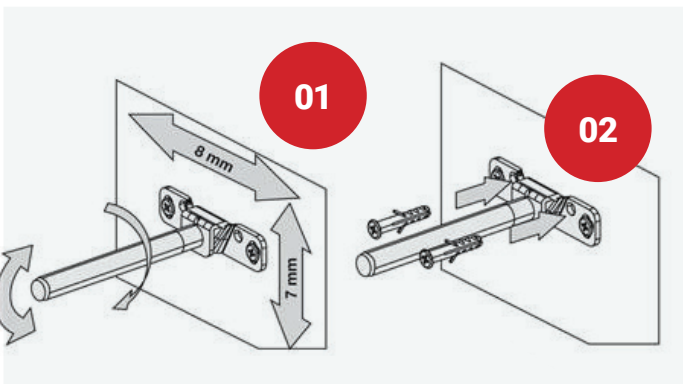


## 1. Measure & Mark

Use a spirit level to mark a straight line on the wall for accurate shelf placement. Align the shelf bracket along the line, using the pre-drilled holes as guides, and mark the screw hole locations with a pencil.”

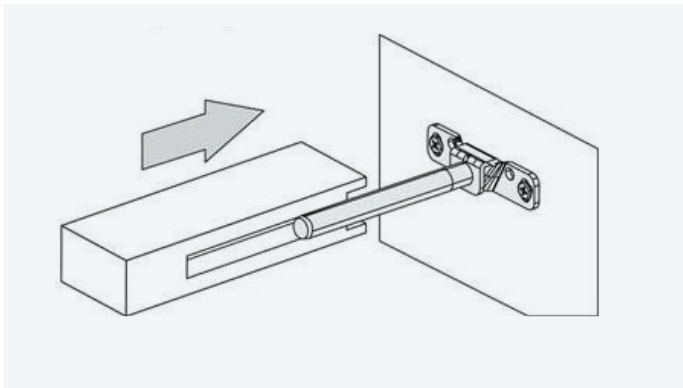
## 2. Getting Your Wall Ready

Now it's time to drill. If attaching to studs, brick, or concrete, drill a pilot hole using a bit slightly smaller than the screws. For plasterboard, you may need to use an anchor (provided with the shelves). Drill a hole slightly smaller than the anchor, then gently tap it into place.



## 3. Affixing Your Bracket & Metal Dowel

1. With pilot holes or wall plugs ready, insert the metal dowels into the bracket and turn clockwise.
2. Hold the bracket against the wall, partially insert the first screw for adjustments, then secure and tighten all screws to fix the bracket firmly in place.



## 4. Mounting Your Shelf

Finally, the easy part—lift the shelf and slide it onto the bracket, making sure it's securely in place on the metal dowel.

# Stacker Kit Assembly Instructions

## Tools Needed:



Drill



Screwdriver



Clamp

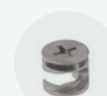


2 People

## Supplied:



Plastic Pins x 8



Cam  
Connectors x 8



Screws x 8

## 1. Prepare Your Area

Assembly should be done on a clean, soft surface (i.e. carpet, on a blanket or flat cardboard) to prevent scratching.



## 2. Position Cabinet on Side Panel

Lay one long side panel flat on a prepared surface, ensuring the pre-drilled holes face upward at the bottom end. Place the cabinet box at the top end of the panel, opposite the pre-drilled holes.



## 3. Fit Cabinet to a Side Panel

Align the cabinet with the back and top edges of the side panel. A small gap at the front allows the door to sit flush once installed. From inside the cabinet, secure it to the side panel by inserting screws into the four pre-drilled holes.



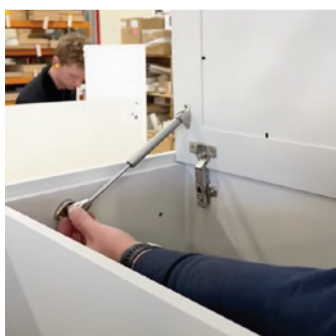
## 4. Fit Support Panels

Insert four plastic pins into the pre-drilled holes at the bottom end of the side panel. Position both short support panels onto the pins and secure them with cams using a screwdriver.



## 5. Fit The Second Side Panel

Insert two plastic pins into each short support panel. With assistance, lower the second long side panel onto the pins and secure it with cams. Carefully turn the cabinet onto its back, then clamp the unsecured side to the cabinet top. Insert four screws into the pre-drilled holes and fasten the cabinet to the side panel.



## 6. Fit Door On Top Cabinet

Align the door hinges with the cabinet and lower it into position until it clicks into place. Attach the strut arm to the lower point, then gently close the door to ensure proper function.

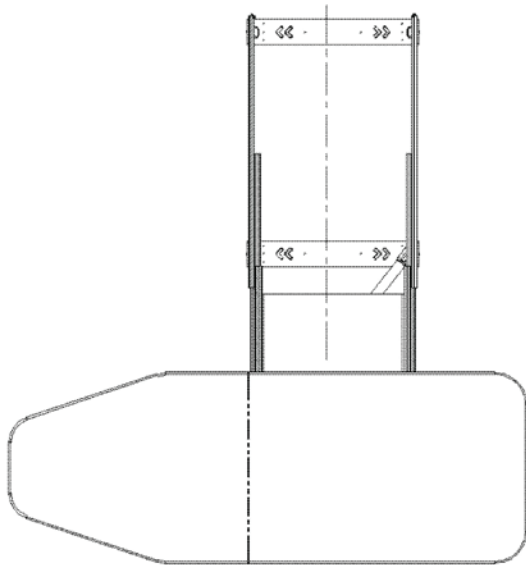
**Support the cabinet kit and carefully lift it upright. It is now ready for installation in the laundry space.**



Learn More

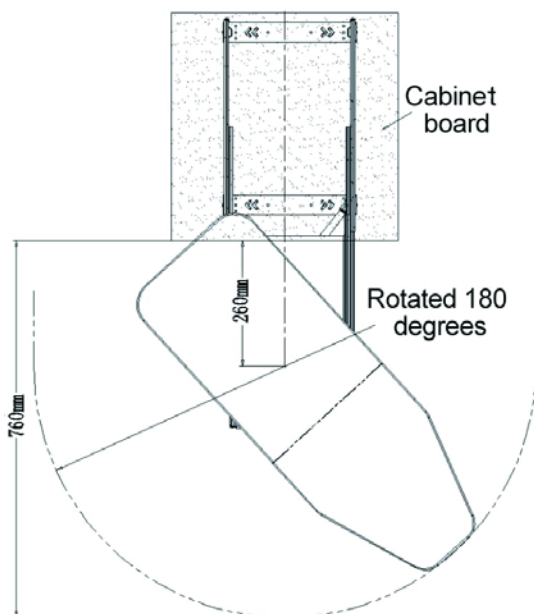
Scan to watch our  
installation video

# Pull-Out Ironing Board User Instructions



## 1. How To Open

The pull-out ironing board comes pre-installed for convenience. To use, simply pull the ironing board out from the cupboard, swivel it clockwise until it is parallel to the cabinetry, and unfold it.

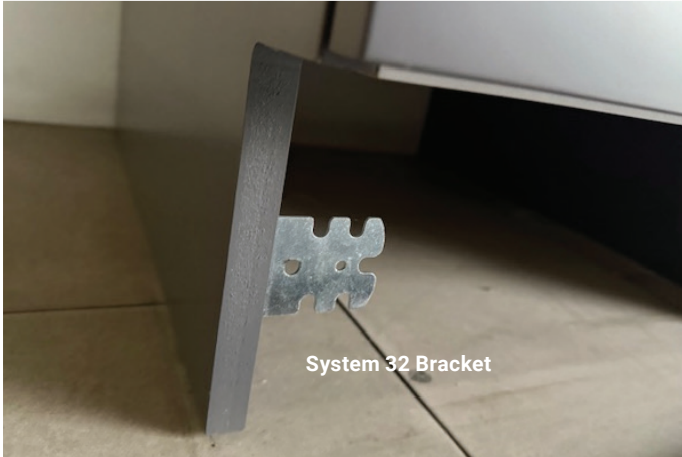


## 2. How To Close

When finished, fold the ironing board up, swivel it counterclockwise, and push it back into the cupboard. Once more than halfway in, it will automatically retract for easy storage.



# Toe Kick Installation



## 1. Align

Align the System 32 bracket on the cabinet with the magnet on the plinth.



## 2. Attach

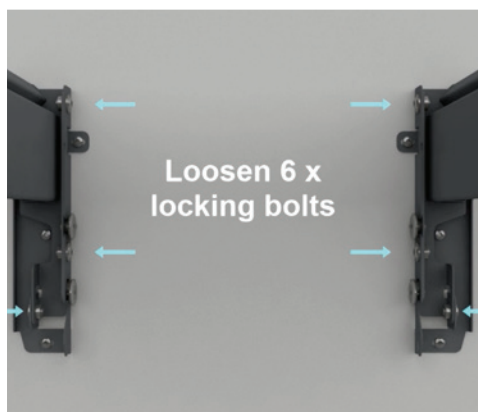
Push the plinth into place until it snaps on securely.

# Pull-Out Hamper Adjustments



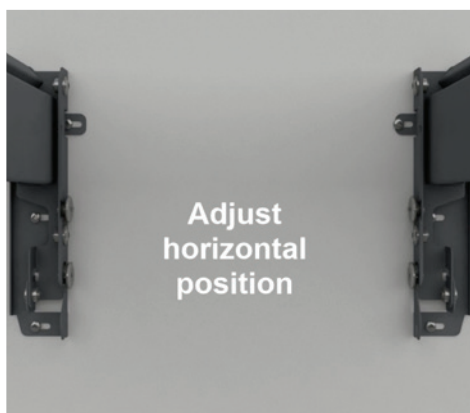
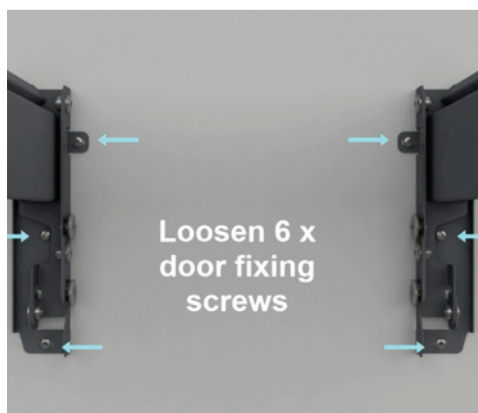
## 1. Remove Door Bracket Cover

To adjust the hamper(s), remove the bracket cover by pulling it down and lifting it off. Once you've finished adjusting, reattach the bracket cover by aligning it and pushing it up until it clicks into place.



## 2. Height & Tilt Adjustment

Loosen the 6 door bracket bolts using a 4mm Allen key. and adjust the horizontal & tilt position of the door panel. Tighten the 6 door bracket bolts.



## 3. Vertical Door Adjustment

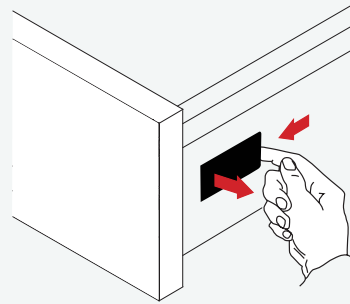
Loosen the 6 door mounting screws with a screwdriver. Adjust the door to be square and parallel to carcase and in the correct vertical position using the adjustment cams. Tighten the 6 door mounting screws.

# Drawer Runner Adjustments

## Magic Box Runners

### Remove Cover

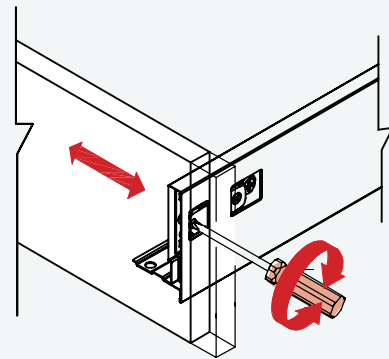
Unclip cover on both sides of drawer



### Left/Right Adjustment

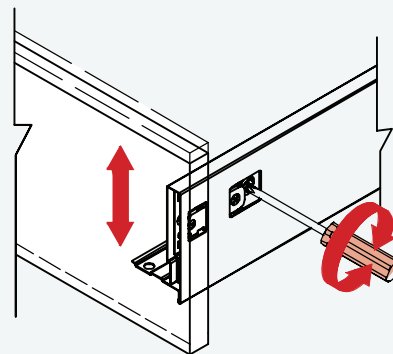
Loosen centre cam ( and then adjust the drawer left or right by turning the front screw clockwise or counter clockwise to the desired position.

*Note: Center Cam is located on the underside of the drawer in the middle front.*



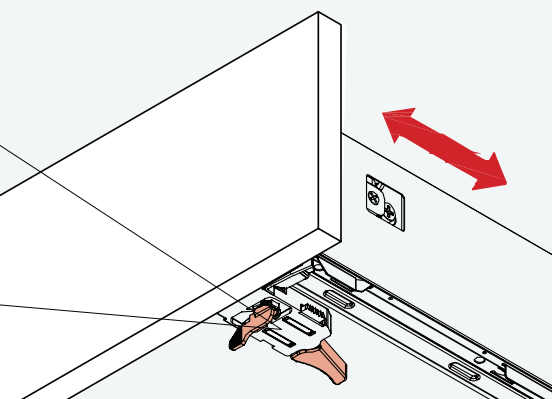
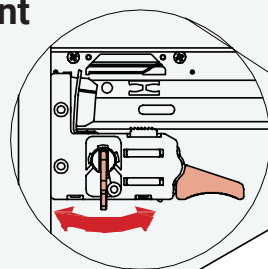
### Up/Down Adjustment

To adjust the doors up or down, turn the back screw clockwise or counter clockwise to the desired position.



### In/Out Adjustment

You can adjust the drawer front in or out by pushing or pulling the lever at both sides of the bottom of the drawer.

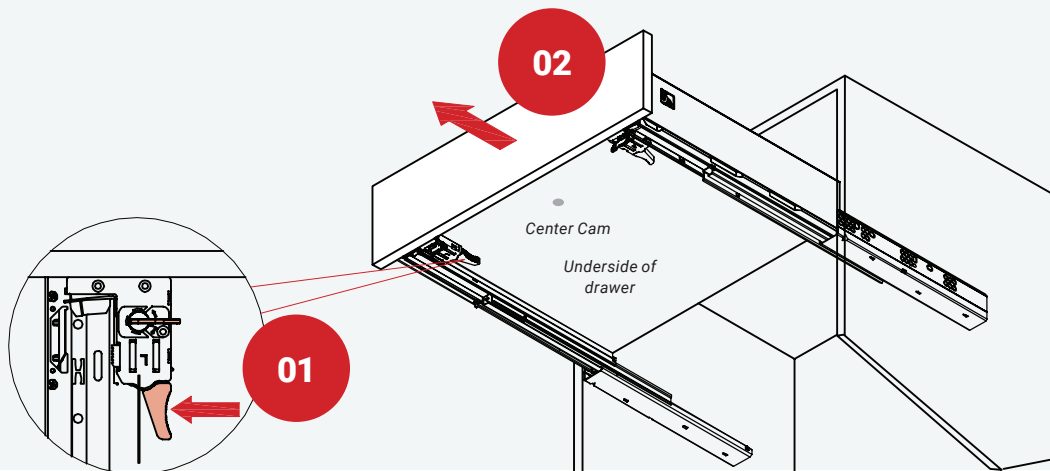


# Drawer Runner Removal

## Magic Box Runners

### Drawer Box Removal

1. Press in the lever on either side of the bottom of the drawer.
2. Pull the drawer out fully.



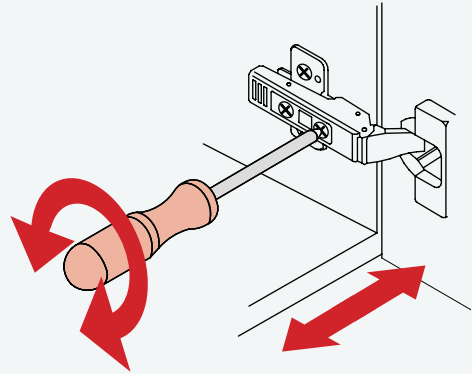
**!** When reinstalling, push the drawer fully in to engage the soft close mechanism.

# Door Hinge Adjustment

It is the responsibility of the qualified installer to make any adjustments to align doors and drawers after installation if required.

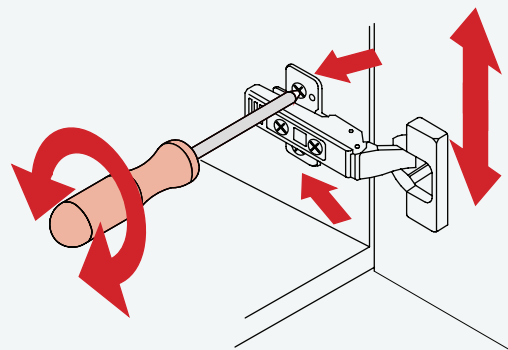
## Left/Right Adjustment

You can adjust the doors left and right by turning the front screw clockwise or counterclockwise to the desired position.



## Up/Down Adjustment

To adjust the doors up or down, loosen the two screws on both sets of door hinges and lift the door to the desired height and re-tighten.



## In/Out Adjustment

When adjusting doors in or out, loosen the rear screw and slide the door into desired position before tightening it.

