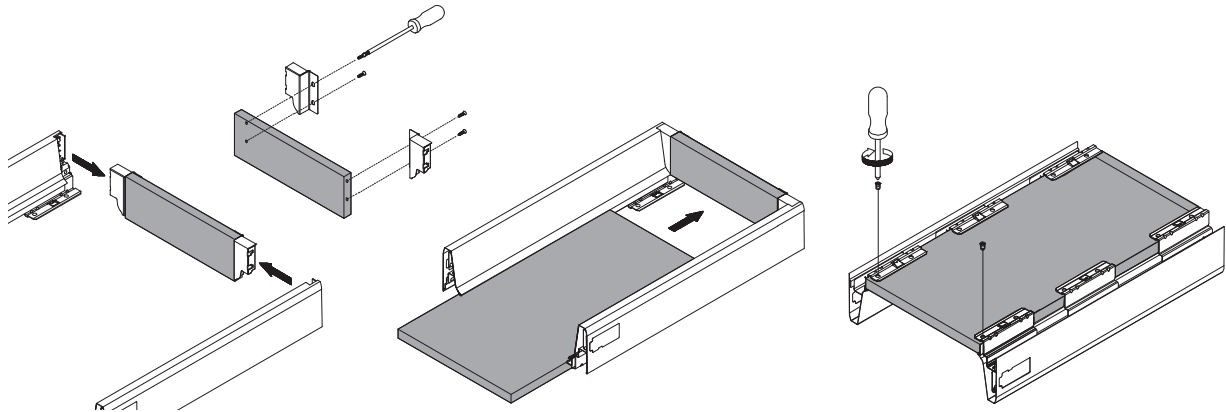


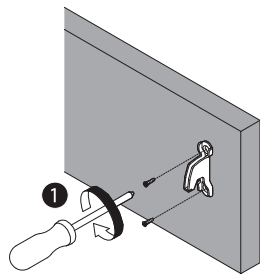
HARN DRAWER ASSEMBLY

Drawer S Assembly – Wooden Back

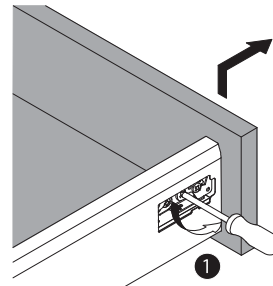
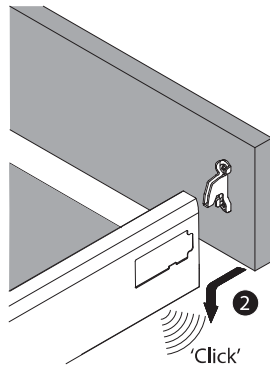


Drawer Front Assembly & Removal

Screw-on

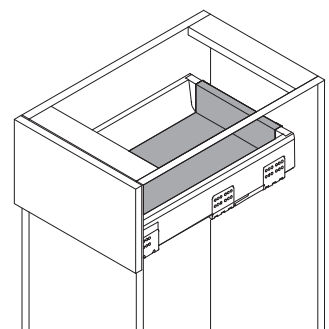
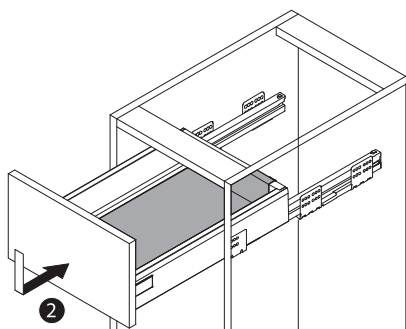
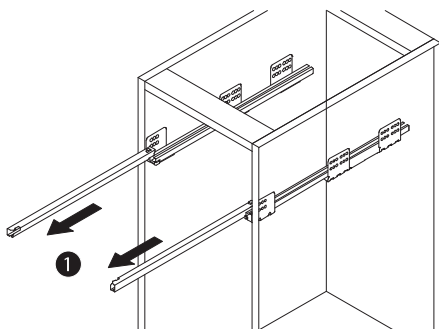


Assembly



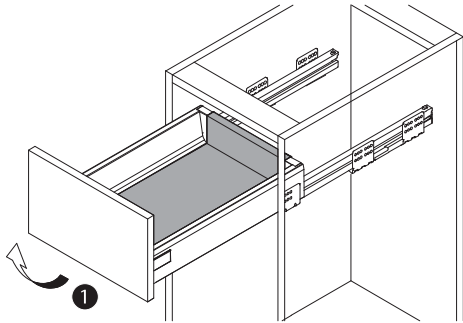
Removal

Drawer Insertion



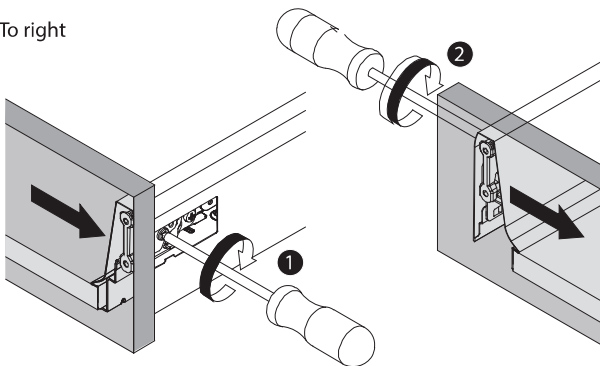
HARN DRAWER REMOVAL & ADJUSTMENT

Drawer Removal



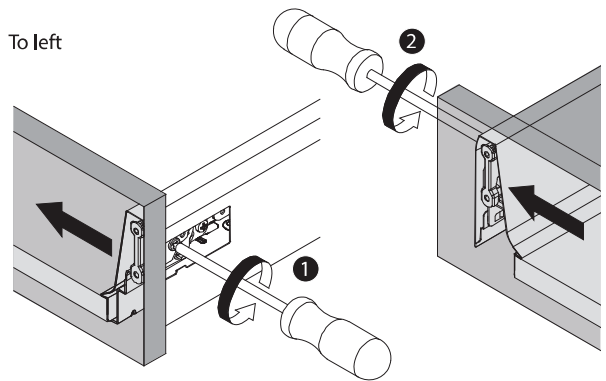
Drawer Front – Side Adjustment

To right



Adjustable by 1.25mm to the right

To left



Adjustable by 1.25mm to the left

Drawer Front – Height Adjustment

