



DOLCE VITA VANITY ORDER FORM

Michel César

Date: _____

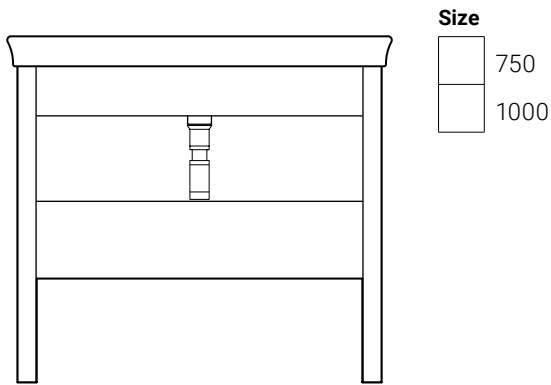
Order Number: _____

Merchant: _____

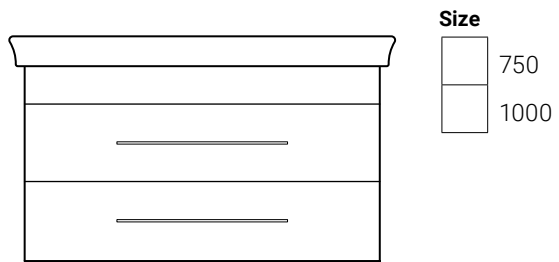
Consultant: _____

STEP 1. CABINET CONFIGURATION

FLOOR STANDING, 1 DRAWER



WALL HUNG, 2 DRAWER



STEP 2. CABINET FINISH

TIMBER VENEER

- | | |
|---|--|
| <input type="checkbox"/> Blonde Oak BO | <input type="checkbox"/> Natural Oak NO |
| <input type="checkbox"/> Coffee C | <input type="checkbox"/> Noce N |
| <input type="checkbox"/> Chestnut CH | <input type="checkbox"/> Walnut W |
| <input type="checkbox"/> Dark Oak DO | <input type="checkbox"/> White Oak WO |

PAINT COLOUR

- White Gloss - **NO CODE**
- Custom Colour *

FINISH

- Gloss Matte

Supplier + Code: _____

(*Additional cost for custom colour finishes, refer to pricelist for details.)

MICHEL CÉSAR
VCBC
BURLINGTON
LAUNDRY

/ WHERE BATHROOMS
& LAUNDRIES
COME TOGETHER
BEAUTIFULLY /
orders@bathco.co.nz
bathco.co.nz

4-8 Ace Place
Kingsland
Auckland 1021
New Zealand
P +64 9 309 9109
F +64 9 309 9343

86 Wigram Road
P.O. Box 8644
Christchurch 8025
New Zealand
P +64 3 343 0969
F +64 3 343 0967

BATH/
CO/

May 2022