

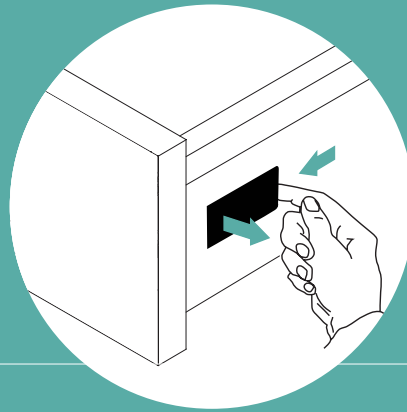
**BATH/
CO/**

**/DTC
DRAWER RUNNER
INSTRUCTIONS**

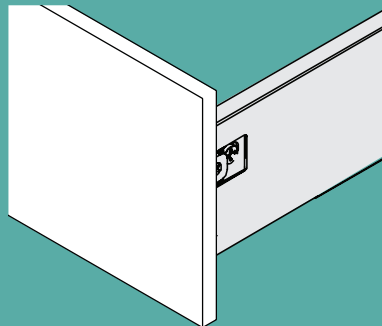


How to Identify Your Drawer Style?

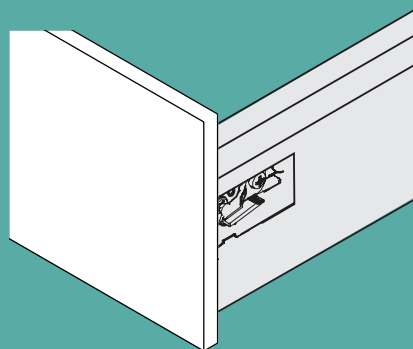
Unclip cover to see which mechanism underneath to match to corresponding diagram below.



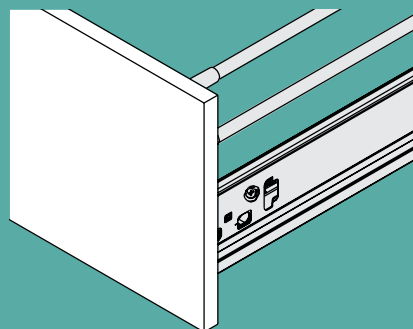
Magic Box



Harn Drawers



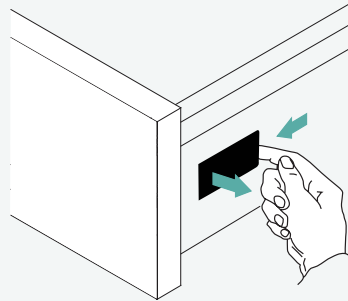
DTC Drawers



DTC DRAWER ASSEMBLY & ADJUSTMENT

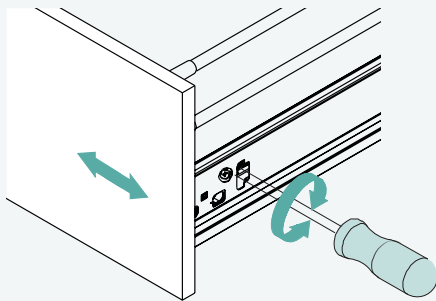
Remove Cover

Unclip cover on both sides of drawer



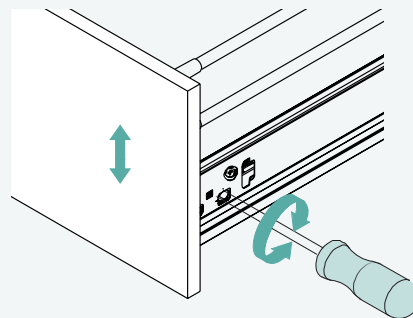
Left/Right Adjustment

You can adjust the drawer left or right by turning the front screw clockwise or counter clockwise to the desired position.



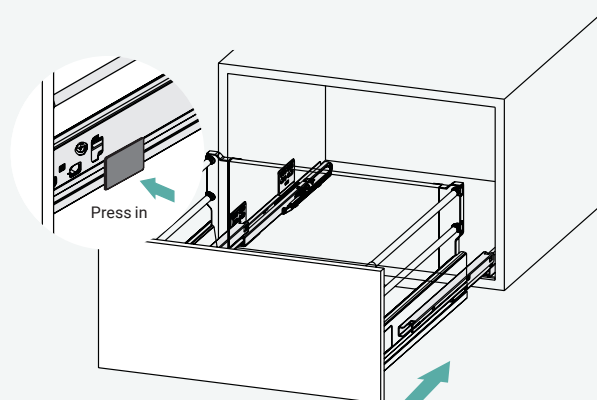
Up/Down Adjustment

To adjust the doors up or down, turn the back screw clockwise or counter clockwise to the desired position.



In/Out Adjustment

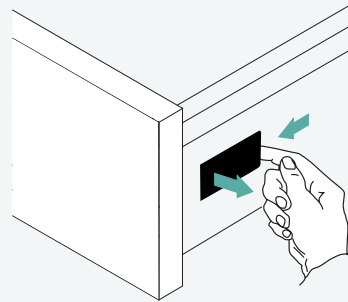
You can adjust the drawer front in or out by pushing or pulling the lever at both sides of the bottom of the drawer.



DTC DRAWER REMOVAL

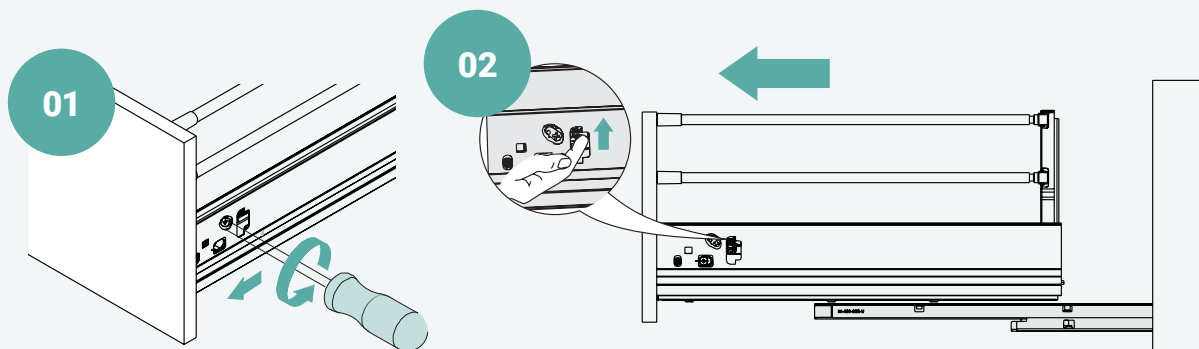
Remove Cover

Unclip cover on both sides of drawer



Drawer Removal

1. Turn screw driver to release the drawer front.
2. Lift the release handle and pull out the drawer.



! When reinstalling, push the drawer fully in to engage the soft close mechanism.