

Onda

vcbc

DESCRIPTION

Onda Back-To-Wall Bidet

PRODUCT CODE

Z22

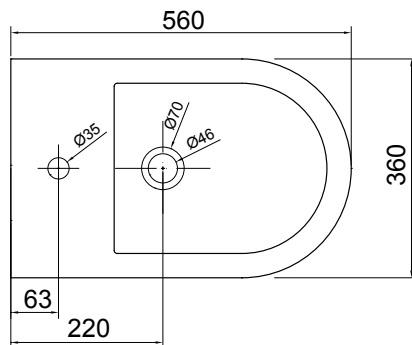


FEATURES

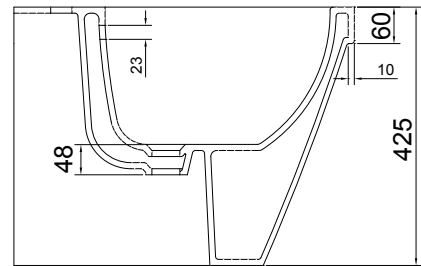
- Dimensions - W360 x H425 x D560 mm
- Vitreous China
- Includes L bracket fixings
- 4 Star WELS rating
- Tap ware and accessories not included

TECHNICAL DRAWINGS

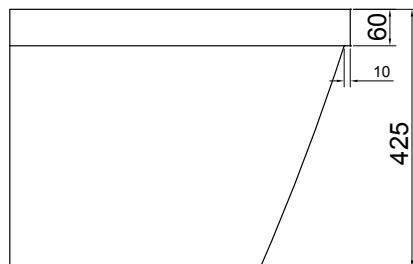
Top



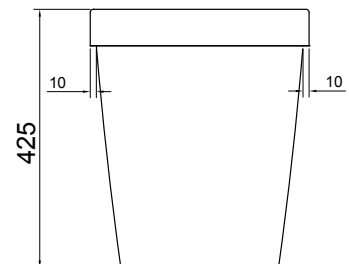
Side Section



Side



Front



NOTES

Drawing indicates the technical measurement only and is not a reflection of how the product will look. Sizes nominal only. Drawings in millimeters, not to scale. August 2019.