

DESCRIPTION

Zara 1500 Wall-Hung Vanity - Double Bowl, 2 Drawers (side-by-side), White / Melamine

PRODUCT CODE

Z1502DWH / Z1502DWHM



FEATURES

- Dimensions - W 1515 x H 468 x D 465mm
- Available in White paint (Gloss) or Melamine
- The paint used on our products is polyurethane or UV based. It is five times harder and more durable than lacquer finishes.
- Timber Effect Melamine: Our wood grain melamine is a low-pressure laminate.
- China basin.
- Soft-close drawers.
- Made to order in NZ.
- Unit includes a top, cabinet and a Box Handle (H1).
- Other handle options include Mini Semi Handle (H4) and Semi Handle (H2).

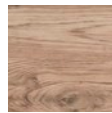
MELAMINE / PAINT FINISHES



MNA
Nordic Ash



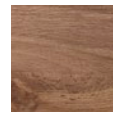
MDF
Driftwood



MFO
French Oak



MME
Manhattan
Elm



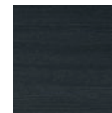
MSO
Southern
Oak



MHW
Hickory
Walnut



MBF
Black Forest



MCO
Charred Oak



No Code
White Paint
(Gloss)

TECHNICAL DRAWINGS

See following page.

NOTES

- Must use bottle traps to ensure drawers open, we recommend 40551-32 bottle trap.
- Please use a contoured waste with all basins, we recommend PUW68R waste (slotted for basins with overflow).
- Drawing indicates the technical measurement only and is not a reflection of how the product will look. Sizes nominal only. Drawings in millimetres. Not to scale. February 2020.

DESCRIPTION

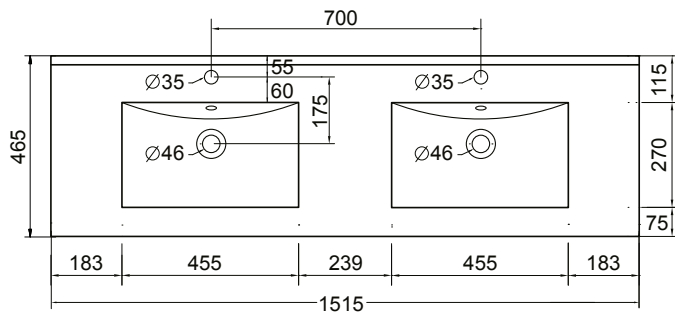
Zara 1500 Wall-Hung Vanity - Double Bowl, 2 Drawers (side-by-side), White / Melamine

PRODUCT CODE

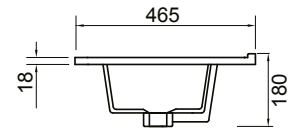
Z1502DWH / Z1502DWHM

TECHNICAL DRAWINGS

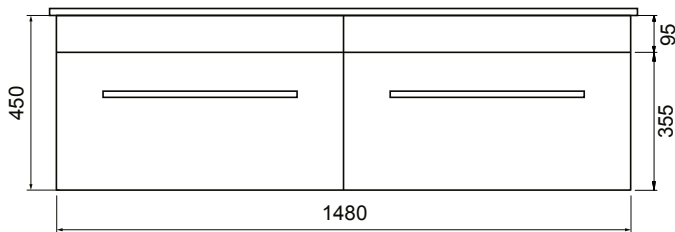
Top



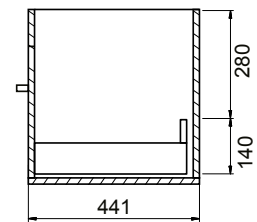
Back



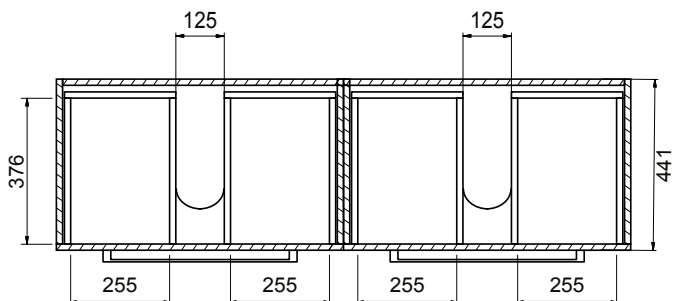
Front



Side Section



Top Section of Drawer



NOTES

Drawing indicates the technical measurement only and is not a reflection of how the unit will look. Sizes are nominal only. All drawings in millimeters. Drawings not to scale. Feb 2020.