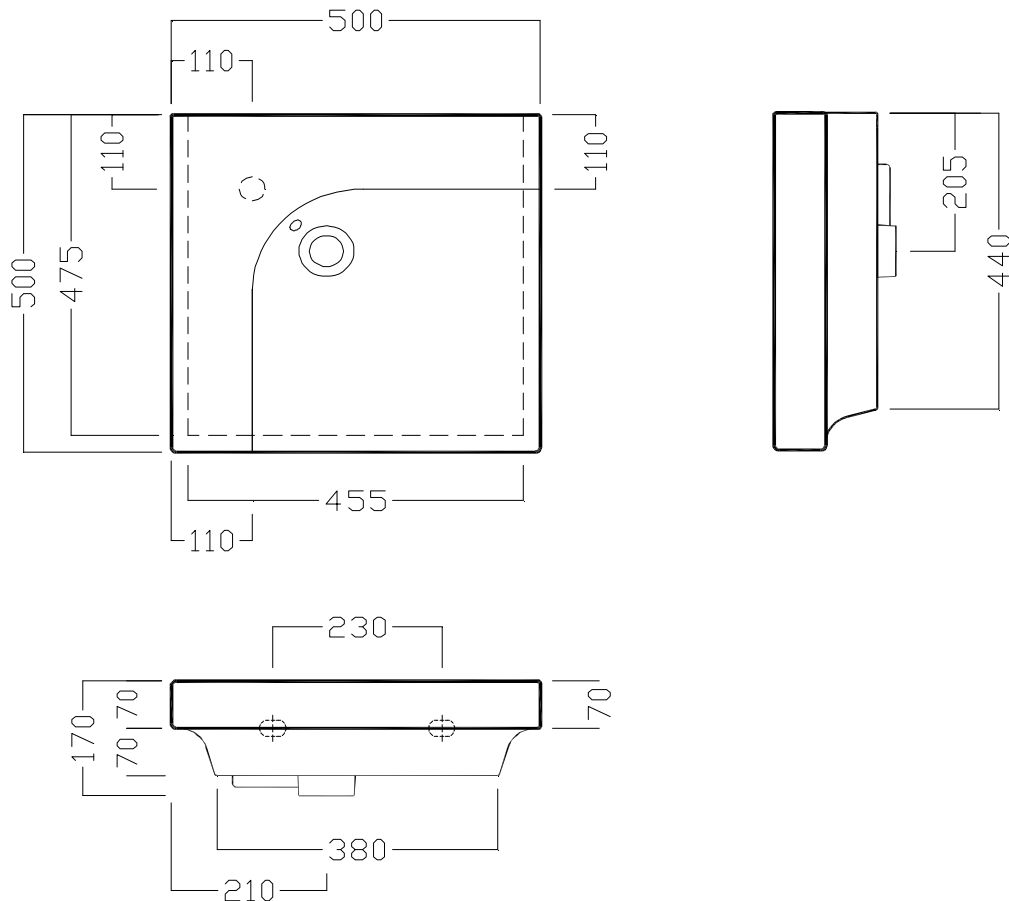


# GRANDANGOLO

*Michel  
César*

**YOXN01** 50 x 50 DX Right Hand Ceramic Basin  
Dimensions – W 500 x H 170 x D 500mm



## NOTES

Drawing indicates the technical measurement only and is not a reflection of how the unit will look. Sizes approximate.  
All drawings in millimeters.