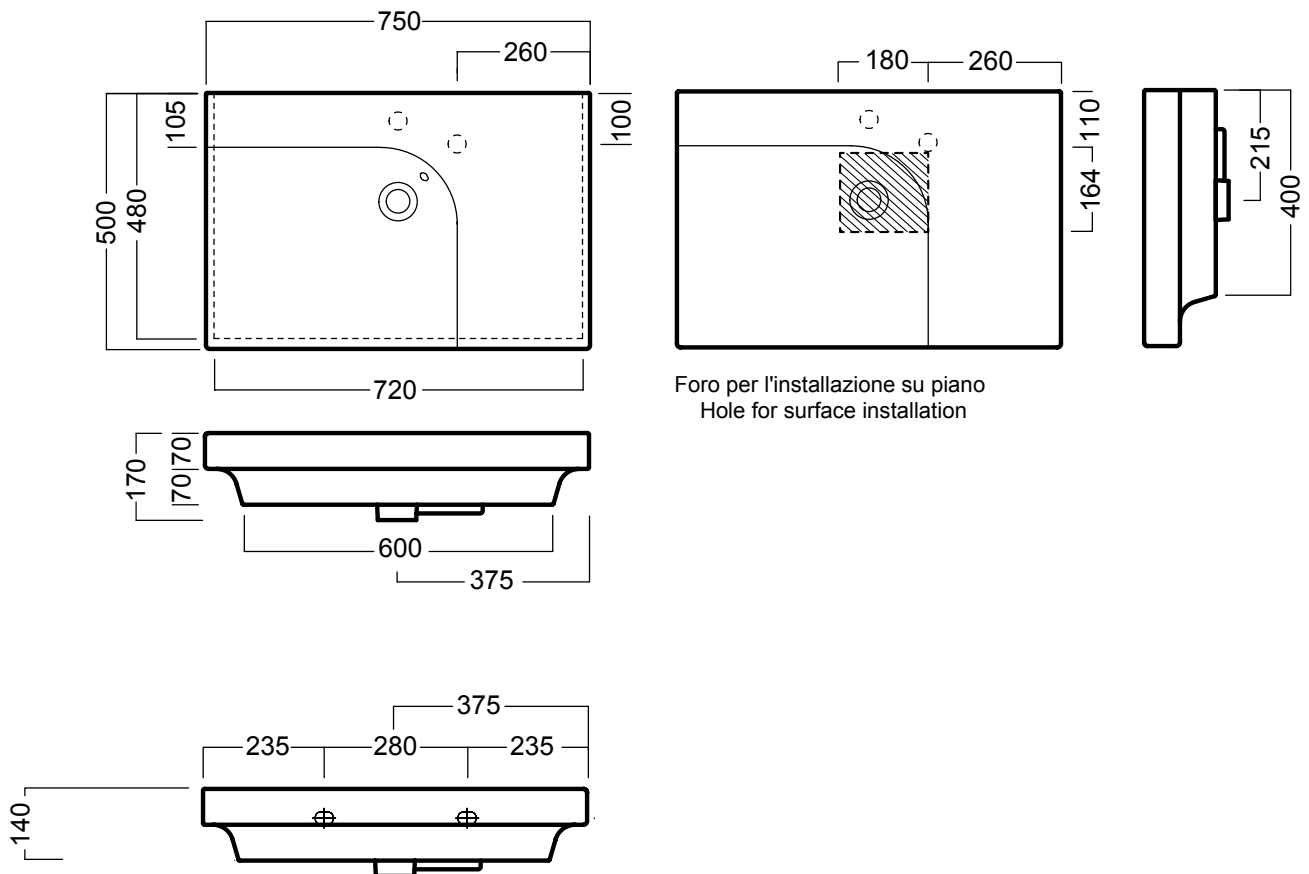


# GRANDANGOLO

*Michel  
César*

**YOXK01** 75 x 50 SX Left Hand Ceramic Basin  
Dimensions – W 750 x H 170 x D 500mm



## NOTES

Drawing indicates the technical measurement only and is not a reflection of how the unit will look. Sizes approximate.  
All drawings in millimeters.

**BATH/  
CO/**

**BATHCO.CO.NZ**  
info@smail.co.nz  
Aug 2018

**CHRISTCHURCH**  
86 Wigram Road, Wigram  
+64 3 343 0969

**AUCKLAND**  
4-8 Ace Place, Kingsland  
+64 9 309 9109