

Accessories

vcbc

DESCRIPTION

Pop-Up Basin Waste

PRODUCT CODE

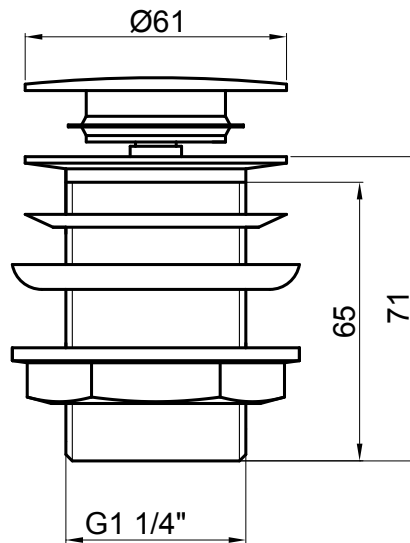
W22



FEATURES

- Dimensions - W61 x D61 mm
- Chrome plated
- Material: Bodies are of all brass construction
- Weight: 0.32 kg
- Unlotted - for use without an overflow

TECHNICAL DRAWINGS



NOTES

N.B: Drawing indicates the technical measurement only and is not a reflection of how the product will look. Sizes are nominal only. All drawings in millimeters. Drawings not to scale.

MICHEL CÉSAR
VCBC
BURLINGTON
LAUNDRY

/ WHERE BATHROOMS
& LAUNDRIES
COME TOGETHER
BEAUTIFULLY /

info@smail.co.nz
bathco.co.nz

4-8 Ace Place
Kingsland
Auckland 1021
New Zealand

P +64 9 309 9109
F +64 9 309 9343

86 Wigram Road
P.O. Box 8644
Christchurch 8025
New Zealand

P +64 3 343 0969
F +64 3 343 0967

BATH/
CO/