

# B Shower Bath Installation

---

## Important

- Leave these instructions with the home owner after installation.
- These instructions are for face fitting baths only. No allowance has been made for any other forms of installation.
- Please unwrap the bath and check it carefully to ensure it has not been damaged in handling or transport.
- Please check that all parts have been supplied.
- Assemble bath on a mat to protect it against damage to bath surface.
- Please do not remove old fixtures before you unpack and inspect the new unit.
- Store the bath in a safe place until you begin installation to avoid damage.
- The bath can be drilled for tapholes as well as being suitable for free standing taps.
- Any installation should be carried out by a qualified tradesman with knowledge of statutory plumbing requirements in your area.
- This product requires a two person lift – use proper lifting techniques.
- This installation guide does not include details of waste connection; final decision about installation of waste connection should be taken by a suitably qualified person.
- This bath has a 5 year warranty, however waste is limited to 1 year.

**Do NOT over-tighten the waste as this may cause long term damage to the bath. We recommend to use a torque wrench to tighten the waste.**

## EVERYDAY CLEANING

We recommend a non-abrasive bathroom cleaner.

## Warning

- Never use bleach products, caustic soda and/or ethyl alcohol (eg: Lysoform) or other specifically manufactured cleaners. In case of contact, rinse immediately with water.
- Please note that hair dye/colouring or oil based colours may discolour your bath. Avoid using any dye or strong colour in or near your bath.
- When using underfloor heating please take care not to put the heating pipes/mats underneath the bath area. The bath should not sit on a heated floor.
- Bath mat or suction mats must be avoided – might cause damage to the surface over time.

## Useful Tips

- It is recommended to fit horizontal timber rails on the walls to support the sides of the bath. This will add more stability to the installation.
- These baths have been designed to be installed as a face fitting bath, hard up against the gypsum or villa board lining, with a tiling strip installed (to be used for tiled walls only), and appropriate waterproofing use after installation. However, a factory-fitted upstand can be installed at an extra cost where an acrylic liner is used, or a tiling strip is not preferred. Under no circumstances must a tiling strip be used with an acrylic or hardi-glaze liner.
- If the shower screen is purchased with the Square Bath the wall profile set MUST be installed prior to the installation of any wall tiles as the glass screen and return (if supplied) are fixed measurements.
- This shower bath must be installed onto a level floor and fixed in situ to prevent movement. Ensure the correct floor heights are set up and agreed upon prior to the installation of the bath. It is recommended that the floor coverings are installed before the side panels are finally fixed into position. This will enable easy removal during maintenance.
- In the installation of the Square Bath Shower surround, we recommend the use of Clear MS Sika Sealant, not silicone when sealing the glass to the bath edge.

---

**MICHEL CÉSAR  
VCBC  
BURLINGTON  
LAUNDRY**

/ WHERE BATHROOMS  
& LAUNDRIES  
COME TOGETHER  
BEAUTIFULLY /

info@smail.co.nz  
bathco.co.nz

4-8 Ace Place  
Kingsland  
Auckland 1021  
New Zealand

P +64 9 309 9109  
F +64 9 309 9343

86 Wigram Road  
P.O. Box 8644  
Christchurch 8025  
New Zealand

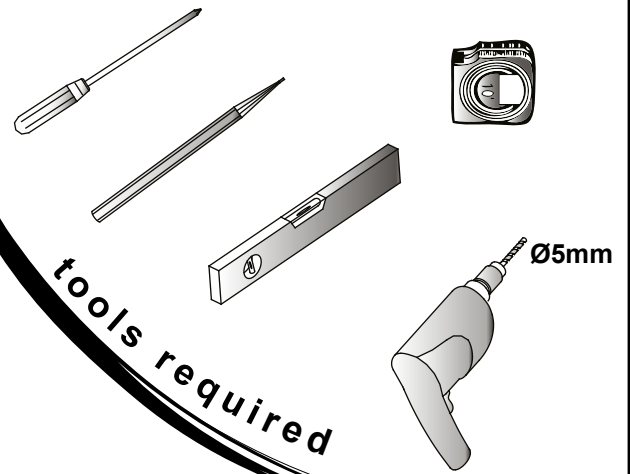
P +64 3 343 0969  
F +64 3 343 0967

**BATH/  
CO/**

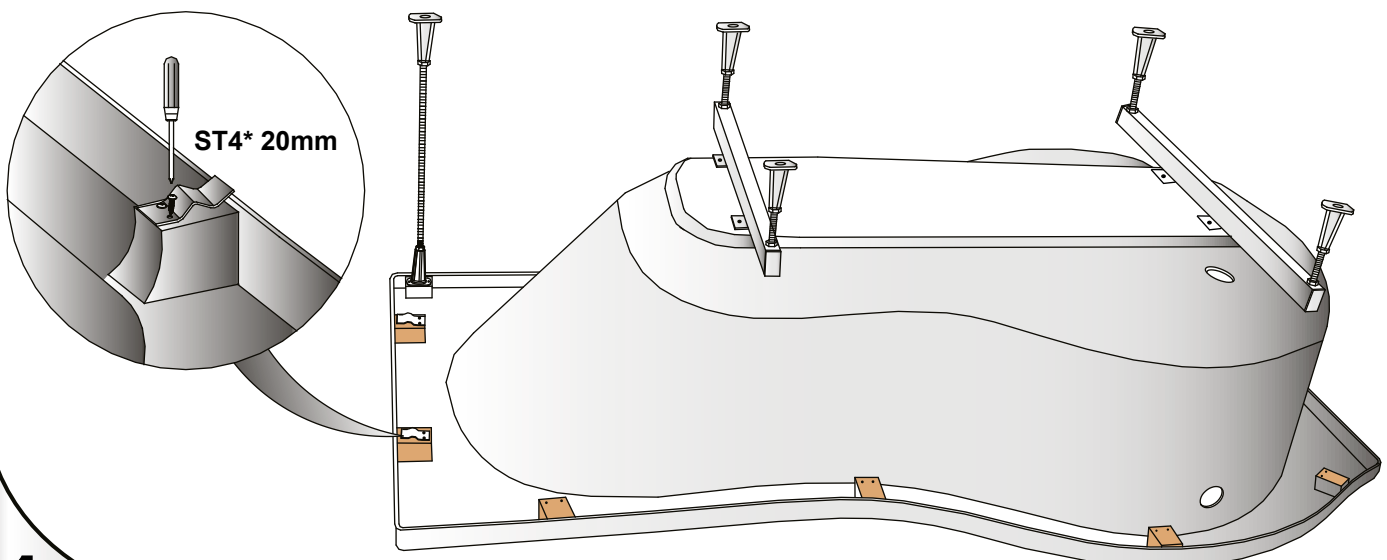
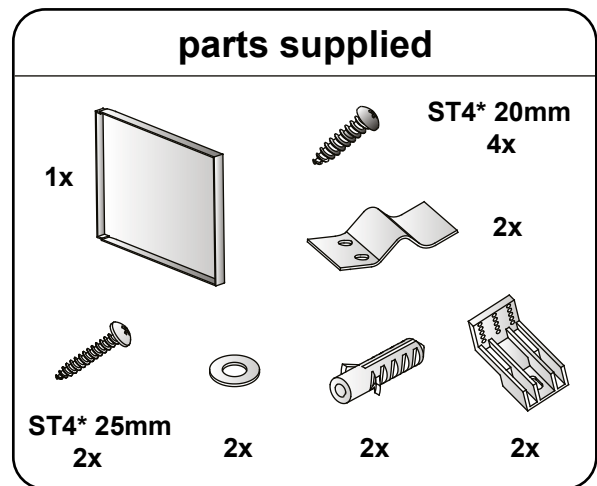
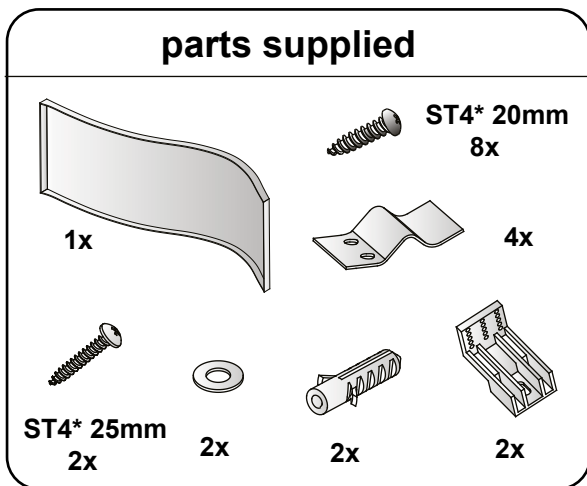
October 2019

# VCBC - B Bath

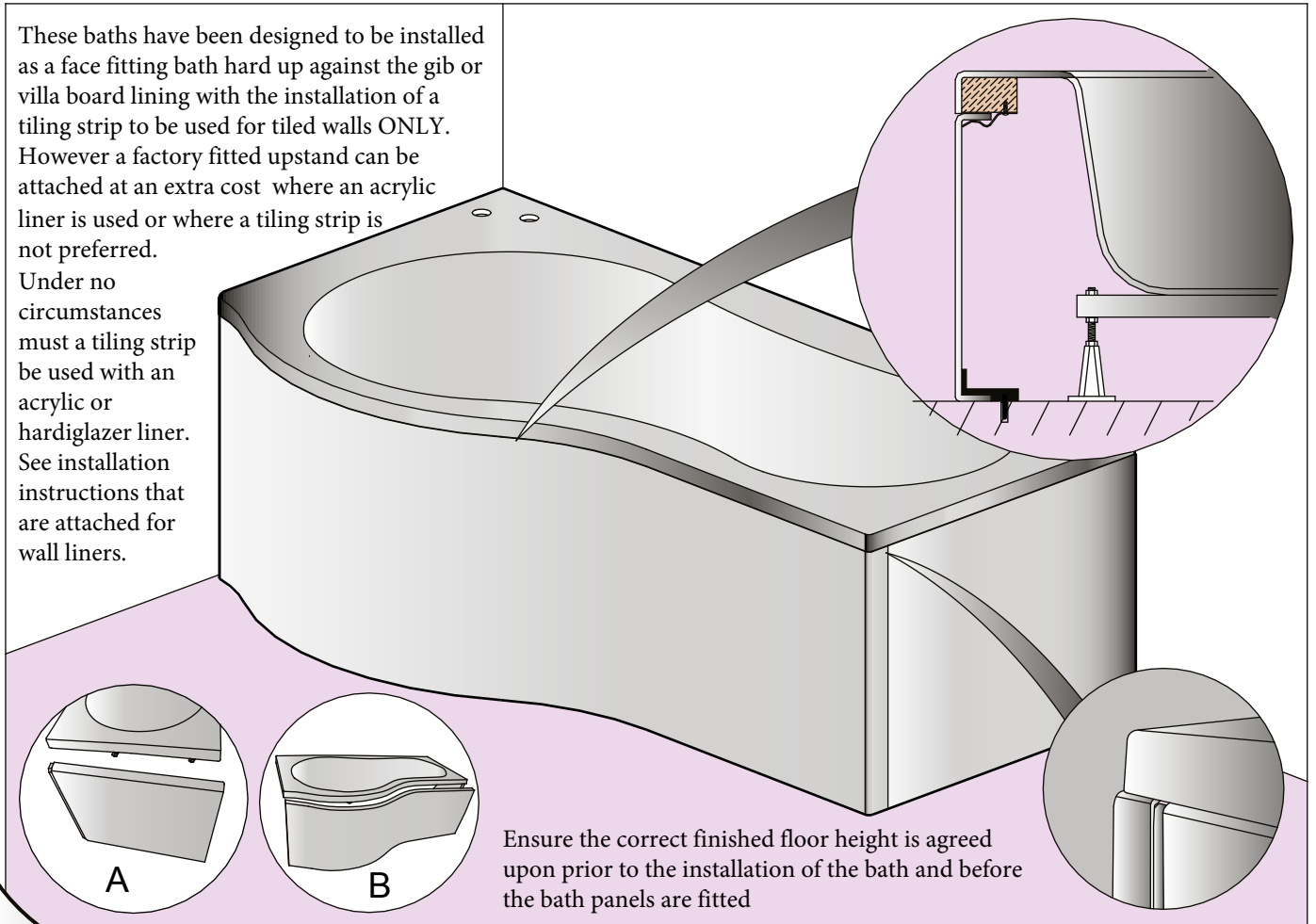
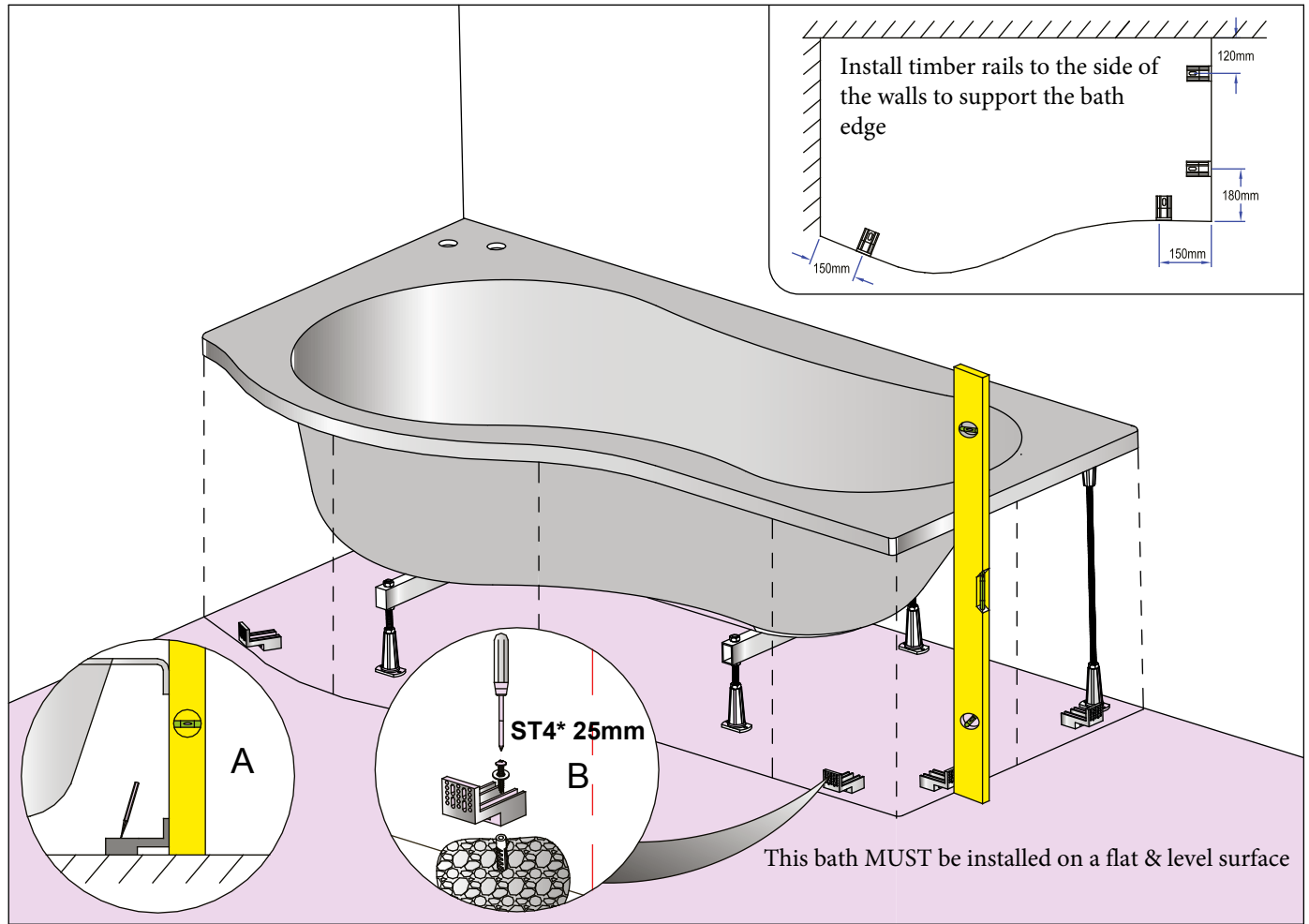
## Installation Instructions



- Check the bath on arrival and that all parts have been supplied
- Notify the merchant immediately of any damage and do not install the bath
- This product requires a two person lift - use proper lifting techniques at all times
- The waste connection must be installed by a licensed NZ plumber in accordance with the NZ Building Code



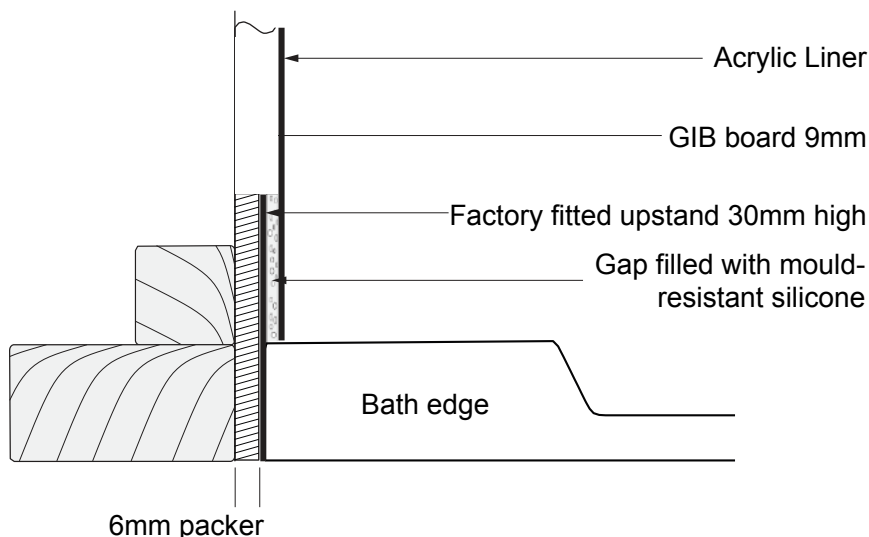
1



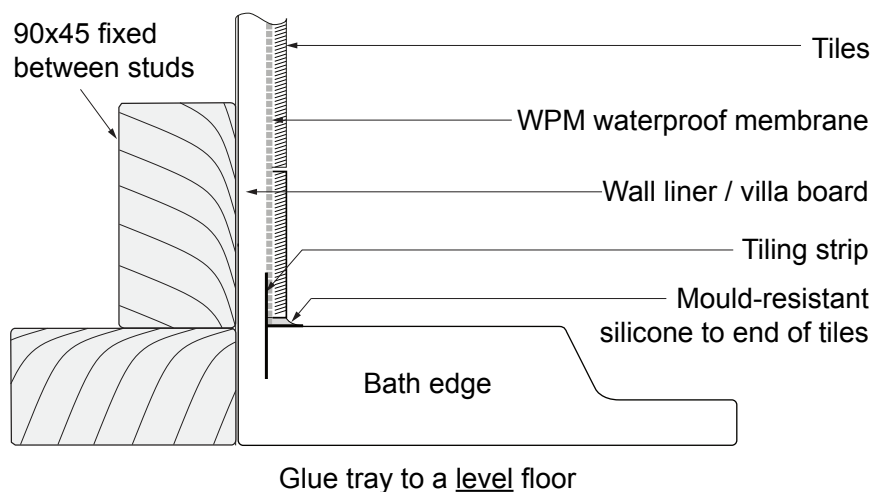
# B Shower Bath Installation

## Wall Liner Installation

Installation of a Shower Bath with an Acrylic Liner



Installation of a Shower Bath with a Tiling Strip



**MICHEL CÉSAR**  
**VCBC**  
**BURLINGTON**  
**LAUNDRY**

/ WHERE BATHROOMS  
& LAUNDRIES  
COME TOGETHER  
BEAUTIFULLY /

info@smail.co.nz  
bathco.co.nz

4-8 Ace Place  
Kingsland  
Auckland 1021  
New Zealand

P +64 9 309 9109  
F +64 9 309 9343

86 Wigram Road  
P.O. Box 8644  
Christchurch 8025  
New Zealand

P +64 3 343 0969  
F +64 3 343 0967

**BATH/**  
**CO/**

October 2019