

TABLO PLUS /

Michel César

DESCRIPTION

Tablo Plus 1600 Wall Hung Vanity - 2 Drawers, (Left or Right Hand) Open Shelf

PRODUCT CODE

TB1600D2MSWH(T)



FEATURES

- Dimensions - W 1600 x H 615 x D 500 mm
- Available painted White (Gloss), in Timber Veneer, or Custom paint colour^{*^}.
- The paint used on our products is polyurethane or UV based. It is five times harder and more durable than lacquer finishes.
- Timber veneer finishes are 100% natural, so each have variations in grain and colour. All come stained and sealed with a protective UV finish.
- Kordura tops available in Standard (25mm) thickness.
- Soft-close drawers New Zealand made cabinetry.
- Pair with our Undermount, Semi-Recessed or Counter Top basins.

FINISHES

White Paint / Timber Veneer / Custom Paint Colour^{*^}



White Paint



White Oak



Blonde Oak



Natural Oak



Walnut



Chestnut



Coffee



Noce

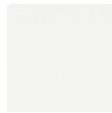


Dark Oak



Custom

KORDURA TOP



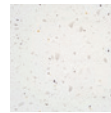
White



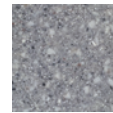
Carrara
Marble^{**}



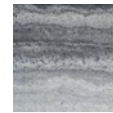
Ariston^{**}



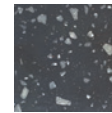
Ice Crystal^{**}



Peak
Stone^{**}



Akashi
Grey^{**}



Black
Granite^{**}

Please see reverse for technical drawings and measurements.

NOTES

• *Non-stock item. • ^Surcharge applies on Custom paint colours (Gloss/Matte) and 50/50 Custom paint colour/Timber Veneer • 50/50 Custom paint colour/Timber Veneer only available on 1500 + 1800 vanities (side-by-side), refer to merchant for pricing • For basin options refer to the Michel César catalogue • Inset and Glory Undermount basins not available with 600 Vanities • 1500 + 1800mm vanities with single bowls must be offset left or right.

****KORDURA TOPS** • Surcharge applies for coloured Kordura tops (excludes White) • Tapholes do not come pre-drilled – this is the responsibility of the installer, and can be cut with a hole saw, jigsaw or router.

TABLO PLUS /

Michel César

DESCRIPTION

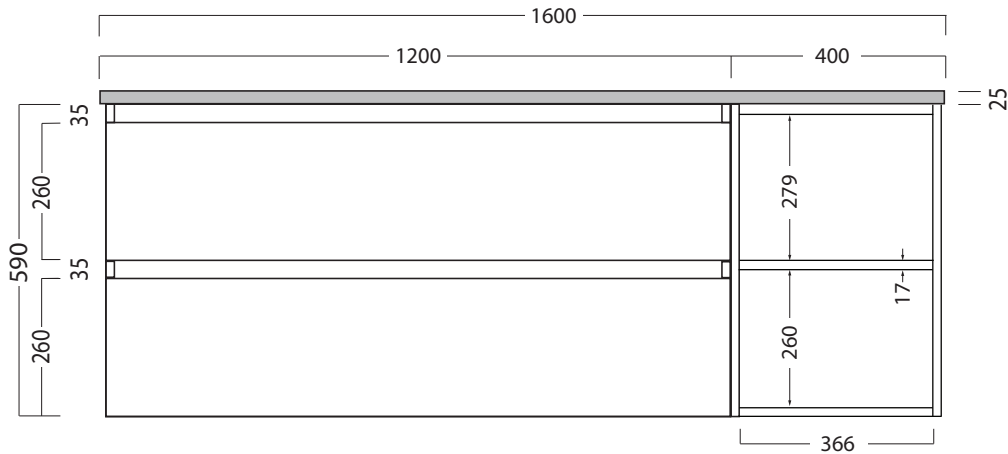
Tablo Plus 1600 Wall Hung Vanity - 2 Drawers, (Left or Right Hand) Open Shelf

PRODUCT CODE

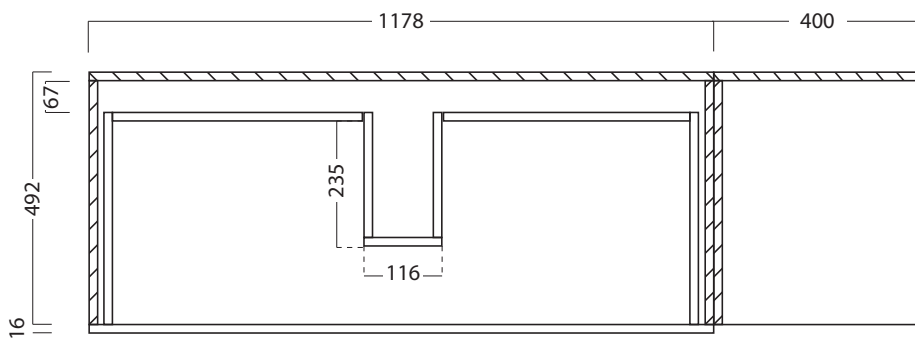
TB1600D2MSWH(T)

TECHNICAL DRAWINGS

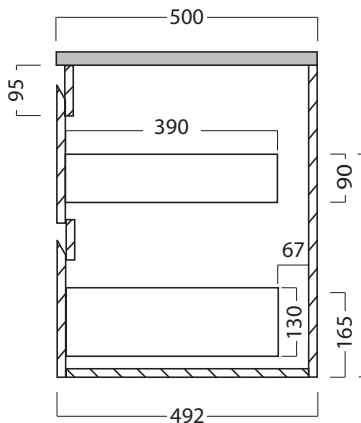
Front



Top Section of Drawer



Side Section of Drawer



NOTES

Drawing indicates the technical measurement only and is not a reflection of how the unit will look. Sizes are nominal only. All drawings in millimeters. Drawings not to scale.