

# 1200 HOROI CABINET

# LAUNDRY

## DESCRIPTION

1200 Laundry Cabinet, Horoi Stainless Steel Top, 2 Drawers, Timber Veneer

## PRODUCT CODE

LUS120ST



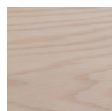
## FEATURES

- Dimensions - W 1200mm x H 897mm x D 600mm
- Available in White, Timber Veneer\*, or your choice of paint colour^ (surcharge applies).
- Kordura tops 25mm thick, available in White, or coloured Kordura tops (10% surcharge applies).
- Unit comes with a tub, cabinet and soft-close drawers.
- Pair it with a Lancashire, Stainless Steel, or Inset tub (surcharges applies).
- Overhang options also available in left-, right-hand or both side. Custom size available upon request (surcharges applies).
- Our Timber Veneer finishes are 100% natural, so each have variations in grain and colour. All come stained and sealed with a protective UV finish.

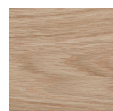
## PAINT / TIMBER VENEER FINISHES\*



White Oak



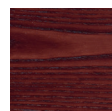
Blonde Oak



Natural Oak



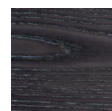
Walnut



Chestnut



Coffee



Noce



Dark Oak



Custom  
Paint Colour^

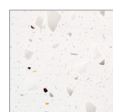
## KORDURA TOP FINISHES\*\*



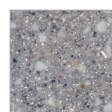
White



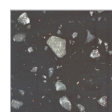
Carrera  
Marble



Ice Crystal



Peak Stone



Black Granite

## NOTES

\*Non-stock item. \*\*10% surcharge applies for coloured Kordura tops. ^15% surcharge applies for custom paint colour, 25% for metallic and black gloss. Tapholes do not come predrilled – this is the responsibility of the installer, and can be cut with a hole saw. See reverse page for technical drawings.

**BATH/  
CO/**

**BATHCO.CO.NZ**  
info@smail.co.nz  
NOV 2018

**CHRISTCHURCH**  
86 Wigram Road, Wigram  
+64 3 343 0969

**AUCKLAND**  
4-8 Ace Place, Kingsland  
+64 9 309 9109

# 1200 HOROI CABINET

# LAUNDRY

## DESCRIPTION

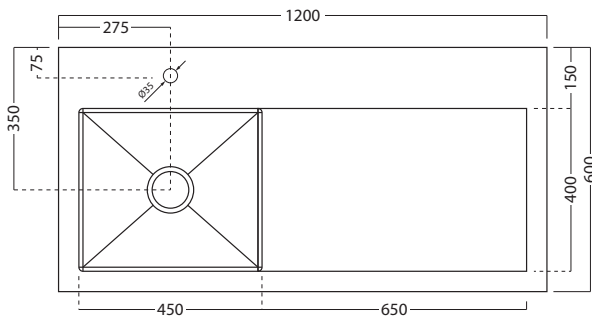
1200 Laundry Cabinet, Horoi Stainless Steel Top, 2 Drawers, Timber Veneer

## PRODUCT CODE

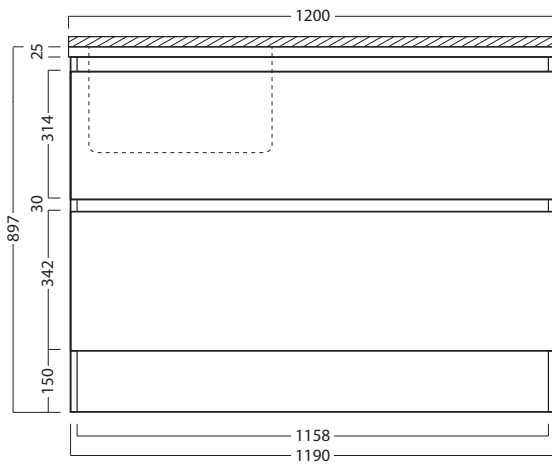
LUS120ST

## TECHNICAL DRAWINGS

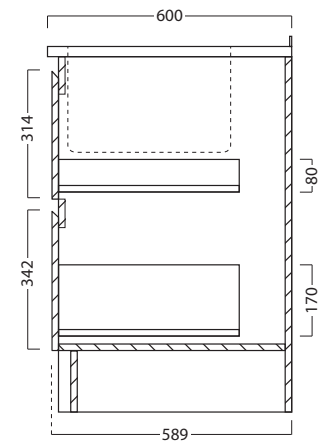
Top



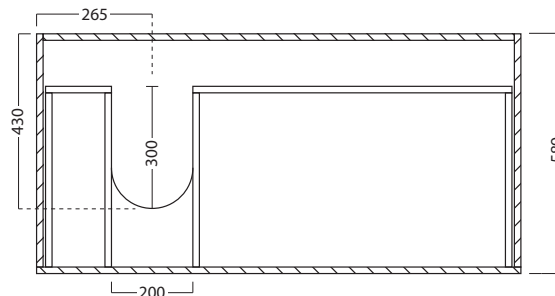
Front



Side Section



Top Section of Drawer



## NOTES

Drawing indicates the technical measurement only and is not a reflection of how the unit will look. Sizes approximate. All drawings in millimeters. Drawings not to scale.