

DESCRIPTION

Twenty 1010 Wall Hung, 2 Drawer, White / Timber Veneer

PRODUCT CODE

TW101D2WH / T



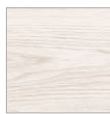
FEATURES

- W1010 x H626 x D480 mm
- Available painted White, in Timber Veneer*, or in your choice of paint colour.^
- The paint used on our products is polyurethane or UV based. It is five times harder and more durable than lacquer finishes.
- Timber veneer finishes are 100% natural, so each have variations in grain and colour. All come stained and sealed with a protective UV finish.
- Four bowl options – left, right, centre and total.
- Handles can be white painted, in Natural Oak or Dark Oak timber veneers.
- Soft-close drawers.
- Italian-made, ceramic top. NZ-made cabinetry.

PAINT / TIMBER VENEER FINISHES*



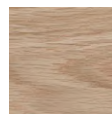
White Paint



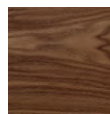
White Oak



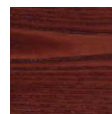
Blonde Oak



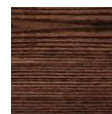
Natural Oak



Walnut



Chestnut



Coffee



Noce



Dark Oak

NOTES

Please see reverse for technical drawings.

*Non-stock item. ^15% surcharge applies for custom paint colour, 25% for metallic and black gloss.

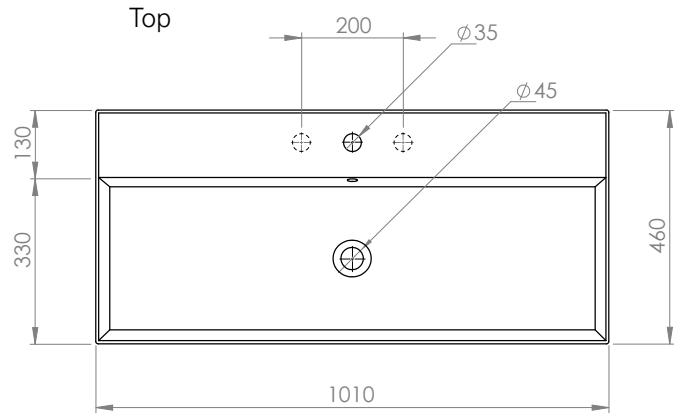
DESCRIPTION

Twenty 1010 Wall Hung, 2 Drawer, White / Timber Veneer, Total Bowl

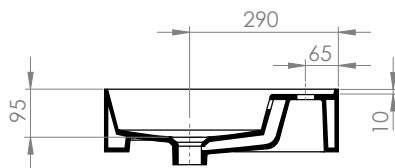
PRODUCT CODE

TW101D2WHTL / TW101D2WHTTL

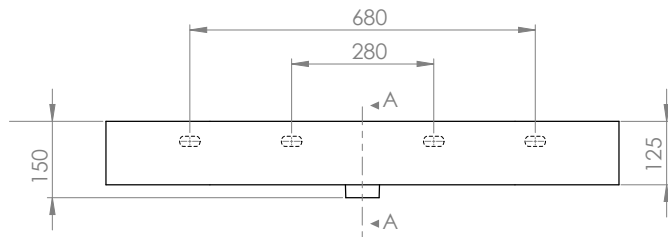
TECHNICAL DRAWINGS



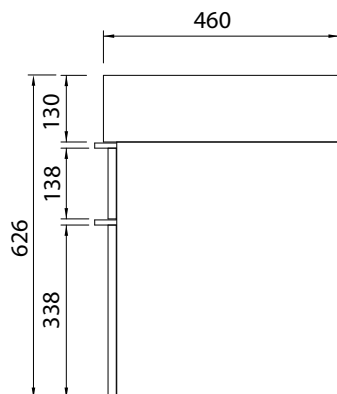
Side Section AA



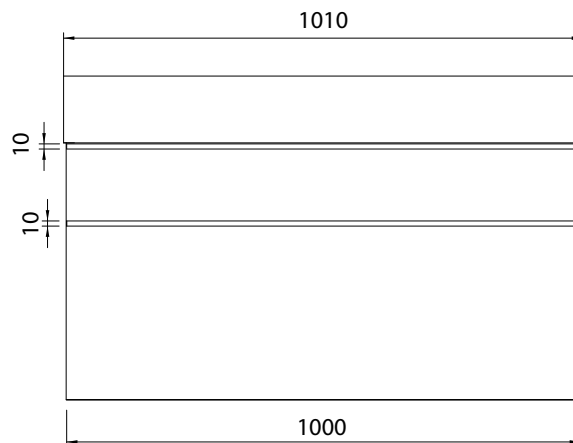
Back



Side



Front



NOTES

Waste cut out in top drawer only. Drawing indicates the technical measurement only and is not a reflection of how the unit will look. Sizes approximate. All drawings in millimeters. Drawings not to scale.

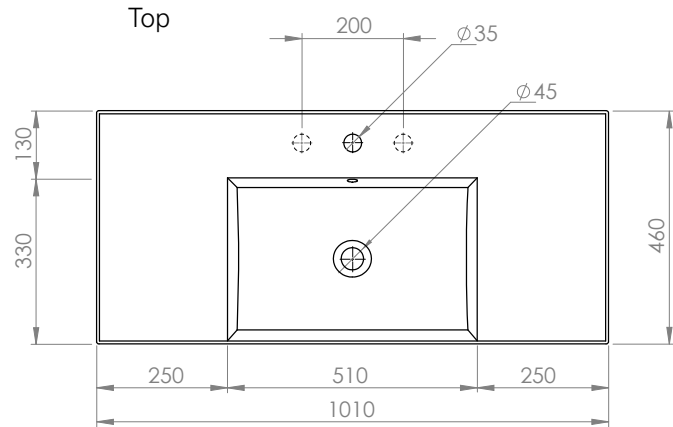
DESCRIPTION

Twenty 1010 Wall Hung, 2 Drawer, White / Timber Veneer, Centre Bowl

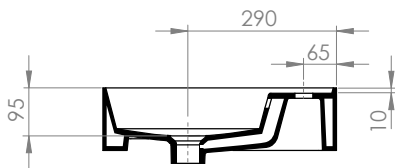
PRODUCT CODE

TW101D2WHCN /
TW101D2WHTCN

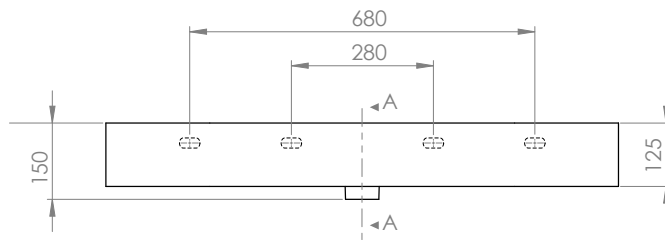
TECHNICAL DRAWINGS



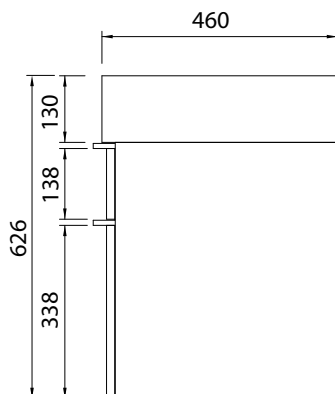
Side Section AA



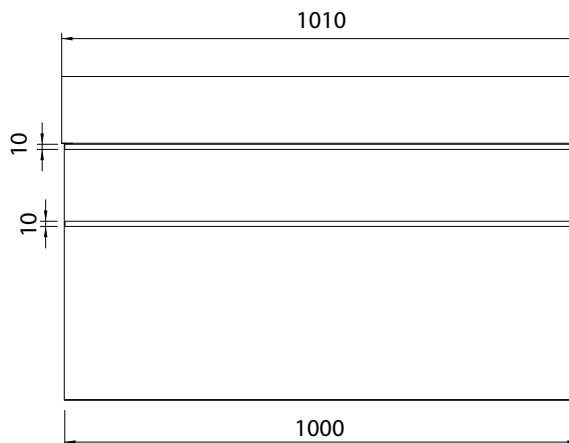
Back



Side



Front



NOTES

Waste cut out in top drawer only. Drawing indicates the technical measurement only and is not a reflection of how the unit will look. Sizes approximate. All drawings in millimeters. Drawings not to scale.

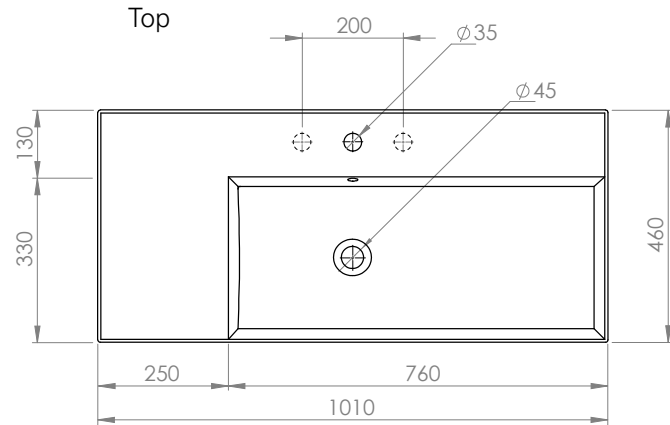
DESCRIPTION

Twenty 1010 Wall Hung, 2 Drawer, White / Timber Veneer, Right Bowl

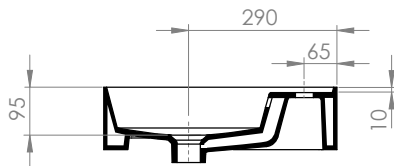
PRODUCT CODE

TW101D2WHRH /
TW101D2WHTRH

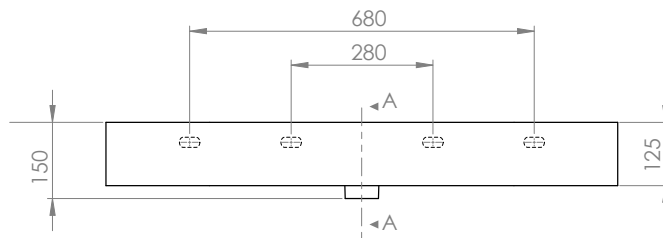
TECHNICAL DRAWINGS



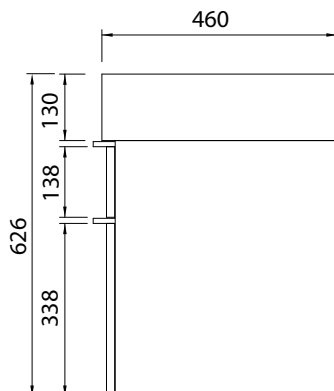
Side Section AA



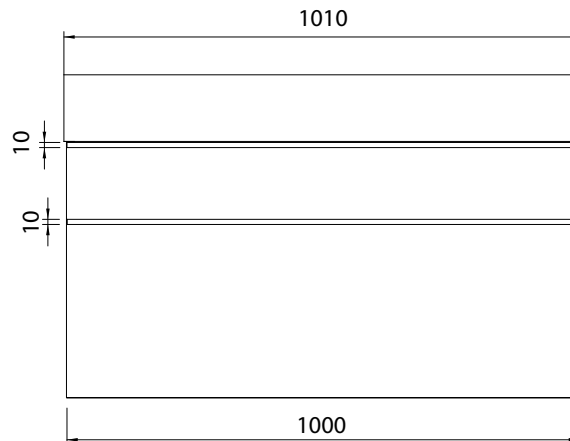
Back



Side



Front



NOTES

Waste cut out in top drawer only. Drawing indicates the technical measurement only and is not a reflection of how the unit will look. Sizes approximate. All drawings in millimeters. Drawings not to scale.

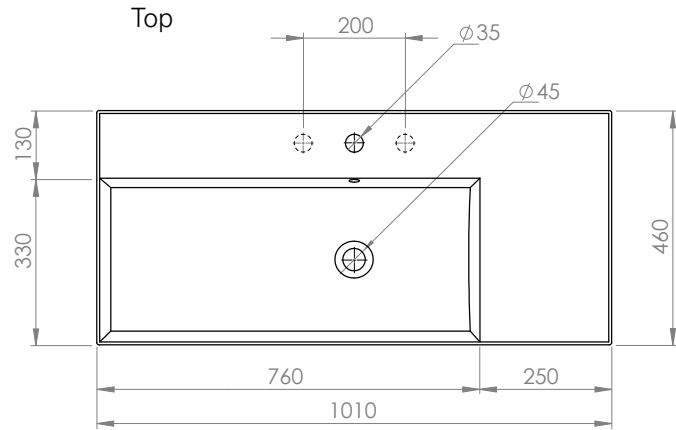
DESCRIPTION

Twenty 1010 Wall Hung, 2 Drawer, White / Timber Veneer, Left Bowl

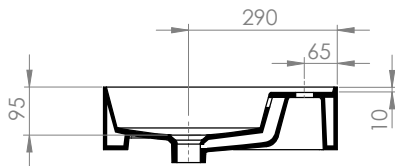
PRODUCT CODE

TW101D2WHLH / TW101D2WHTLH

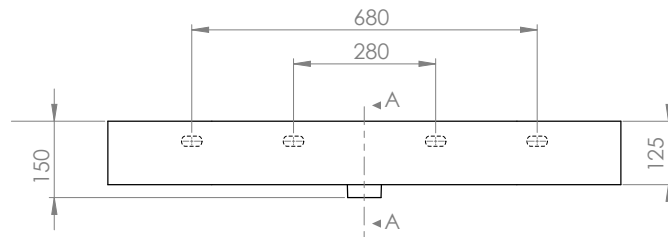
TECHNICAL DRAWINGS



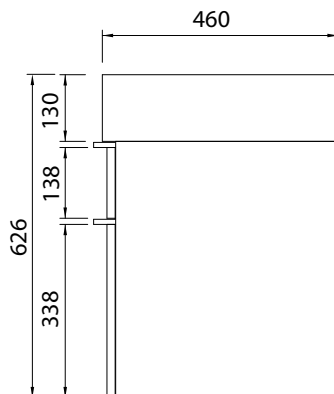
Side Section AA



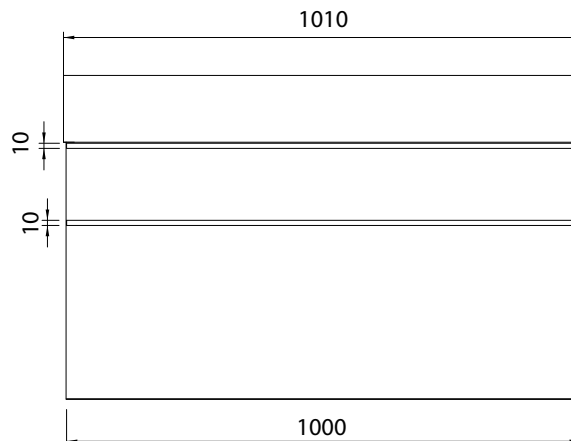
Back



Side



Front



NOTES

Waste cut out in top drawer only. Drawing indicates the technical measurement only and is not a reflection of how the unit will look. Sizes approximate. All drawings in millimeters. Drawings not to scale.