

## DESCRIPTION

T&G 550, 2 Drawers with Ceramic Basin

## PRODUCT CODE

T&G55D2WH / T&G55D2WHCC



**Dimensions** W 550 x H 615 x D 460 (mm)

**Finishes** Matte White or Matte Custom Colour Paint.

**Basin** Ceramic top with intergrated basin.

**Handle** Recessed handle design.

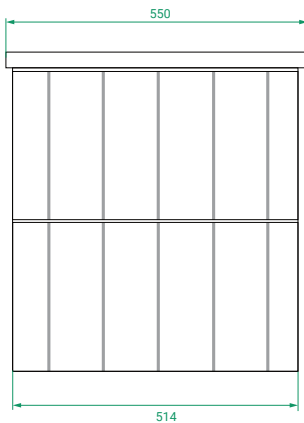
**Origin** New Zealand made cabinetry.

**Features**

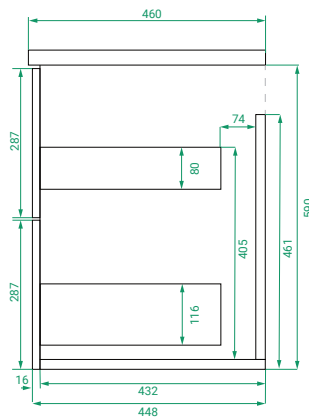
- Modern tongue & groove.
- 2 Drawers (stacked) with soft-close.
- Ceramic top with intergrated basin in white.
- Our paint is polyurethane or UV based.

## TECHNICAL DRAWINGS

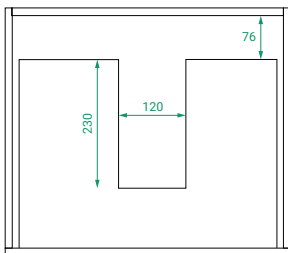
**Front**



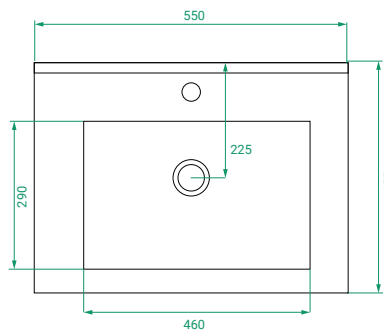
**Side**



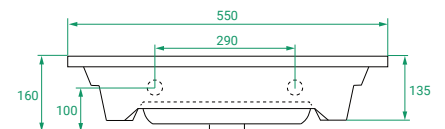
**Drawers**



**Top**



**Side**



## NOTES

Accessories not included. Drawing indicates the technical measurement only and is not a reflection of how the product will look. Sizes are nominal only. All drawings in millimeters. Drawings not to scale. March 2024.