

Trent

Burlington®

DESCRIPTION

Trent Thermostatic Shower with 6" / 9" Shower Head

PRODUCT CODE

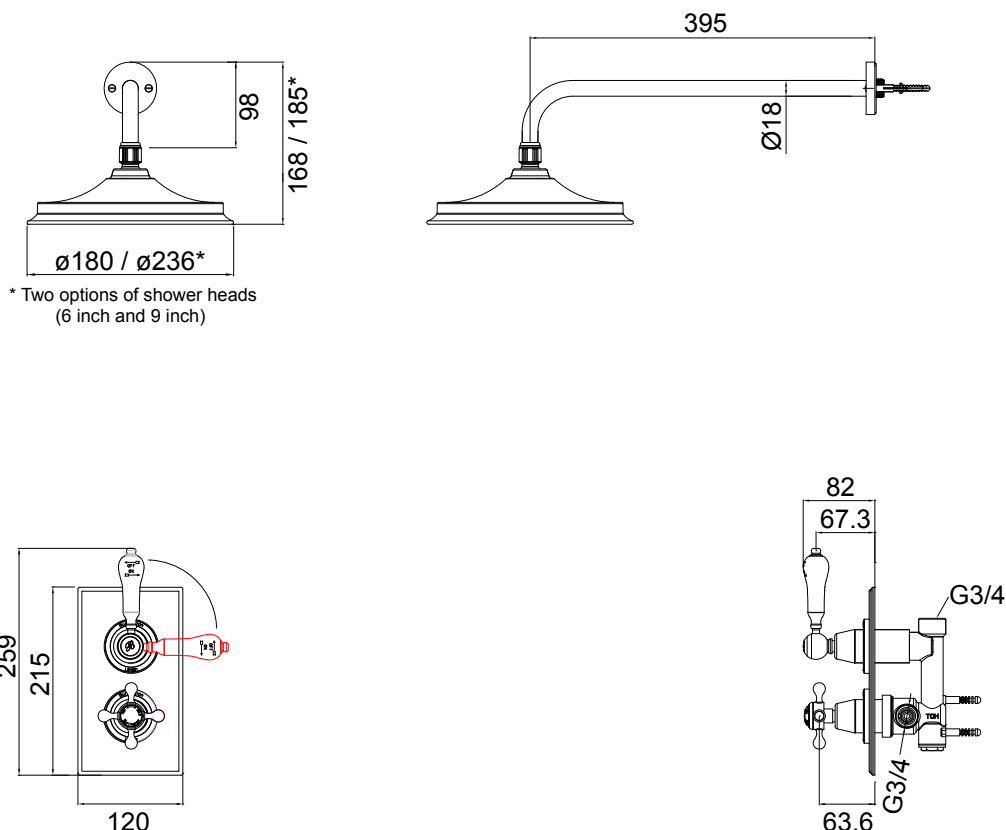
TF1S / V16 / V17



FEATURES

- Dimensions - W120 x H259 x D395 mm
- Trent Thermostatic Single Outlet Concealed Shower Valve with Fixed Shower Arm with 6" or 9" Airburst Shower Head
- Traditional brass faceplate, Claremont tap with White ceramic indice, and ceramic lever. Lever/indice also available in Black* (additional cost)
- Thermostatic mixing valves blend hot and cold water to ensure constant, safe temperatures. Has Vernet wax capsules throughout their showering valves, meaning temperature when showering varies no more than + - 1°C.
- Mixer body made of brass. The shower head is made of ABS and brass, and has anti-limescale silicon nipples.
- 390mm adjustable fixed shower arm

TECHNICAL DRAWINGS



NOTES

1 star WELS rating. Hot & cold inlet 3/4 female thread. *Non stock item. Drawing indicates the technical measurement only and is not a reflection of how the product will look. Sizes are nominal only. All drawings in millimeters. Drawings not to scale. Excludes accessories. December 2018.