

Burlington®

Simply Exclusive
Classically styled bathrooms



S trap CC WC with 440 lever cistern

Code	Name
P18	Burlington close coupled S trap pan for floor mounted outlet pipe
C3	Close Coupled / Low level cistern 44 cm Ceramic Lever (incl. bottom entry cistern fittings)

Finishes: White

Product Type: Traditional

Material: Vitreous china

Overall height: 78cm

Size: 440 x 730 x 780 mm

Weight: 33.3 kg

Barcodes: C3 (5055806002241), P18 (5055806012967)

Additional Information

- SP511: Back entry kit for C3 cistern, including back entry inlet valve with flexible hose and plug
- Supplied with floor fixings
- Recommended to be used with cistern tank isolation valve W25
- The S trap P18 pan & C30 cistern combination should be used where the distance from the wall to the center of the soil pipe in the floor is 24cm
- The soil pipe is fully enclosed and not visible
- Water Inlet valve hole is located on the base of cistern tank on the right hand side
- Bottom inlet valve (SP5A). Back inlet valve available as optional item (SP511).
- Dual flush cistern fittings with ceramic lever on the right.
- Press lever down for 6 litre flush and up for 3 litre flush.
- Cistern connected to pan with internal bolts
- Close coupled wc must be used with standard Burlington toilet seats
- The S trap P18 pan & C3 cistern combination should be used where the distance from the wall to the center of the soil pipe in the floor is 21cm; if the wall to soil pipe distance is less than 24cm, then use the combination of P18 pan & C30 cistern tank

Compliance / Approvals

BS EN 33:2011

Pedestal W.C. pans with close-coupled flushing cistern

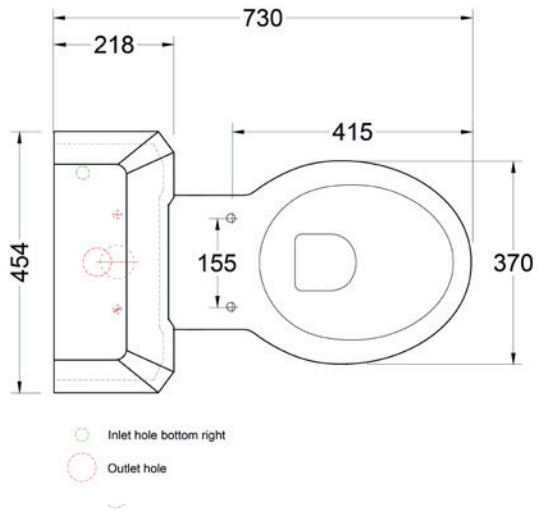
BS EN 997:2012

WC pans and WC suites with integral trap

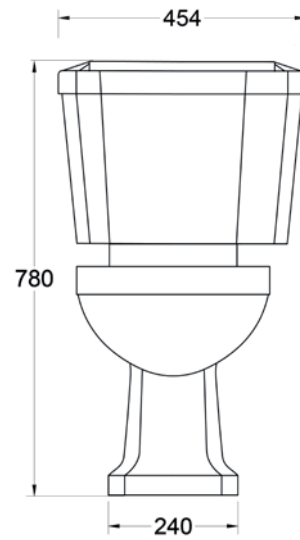
Burlington®

Simply Exclusive
Classically styled bathrooms

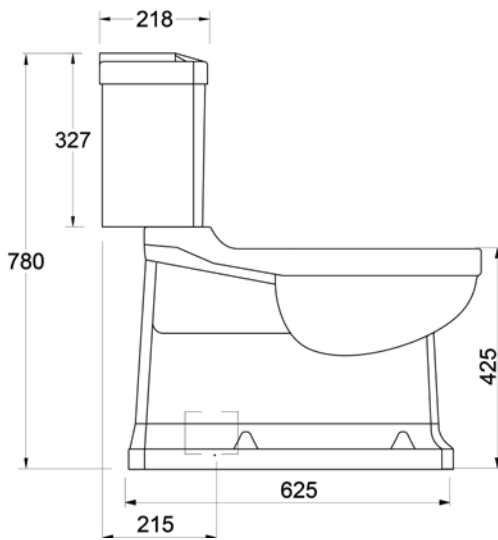
Top Down



Front View



Side View



Back

