

DESCRIPTION

Stainless Steel Inset Laundry Sink 400

PRODUCT CODE

4045



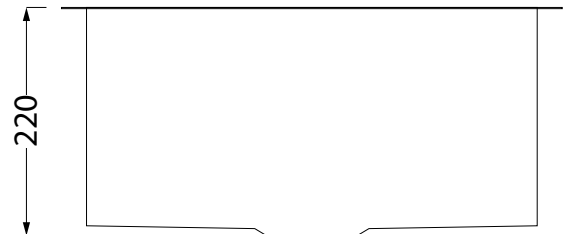
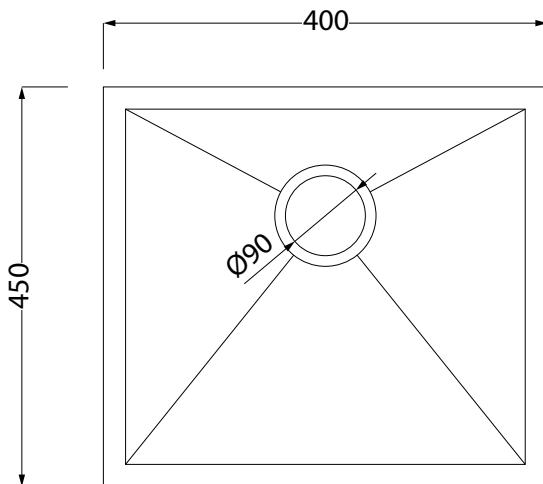
FEATURES

- Dimensions - W 400 x H 220 x D 450mm
- Integrated undermount stainless steel laundry sink.
- Pair with any of our Laundry Cabinets with Kordura top, available in a variety of sizes and finishes.
- Includes a convenient basket waste.
- Stainless Steel 304.
- NB: Designed for laundry cabinets only (not sold separately).

TECHNICAL DRAWINGS

Top

Front



NOTES

• Tapware & accessories not included. • Drawing indicates the technical measurement only and is not a reflection of how the product will look. Sizes nominal only. Drawings in millimetres. Not to scale. July 2021.