

SPHERE BIDET /

vcbc

DESCRIPTION

Sphere Floor Standing Bidet Back-to-Wall

PRODUCT CODE

15.B.38672



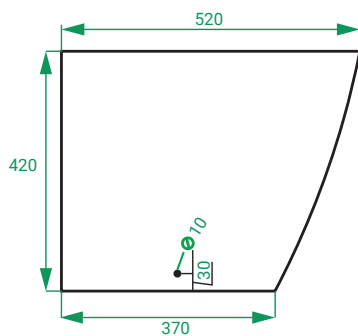
Dimensions W 365 x H 420 x D 520 (mm)

Material Vitreous China

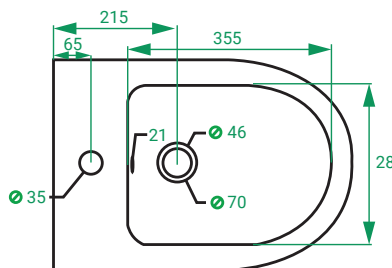
- Features
- Includes floor fixing screws
 - Single tap hole D=35mm, with overflow hole

TECHNICAL DRAWINGS

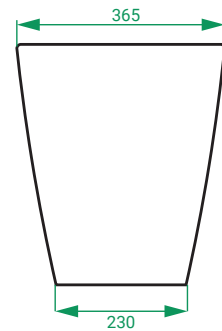
Side View



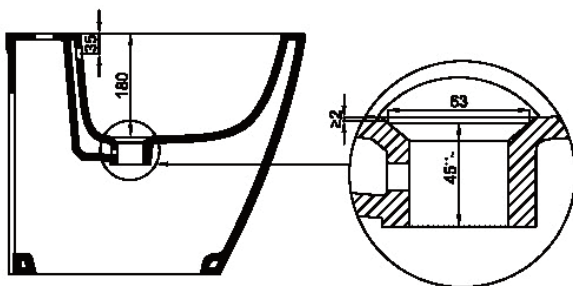
Top Down



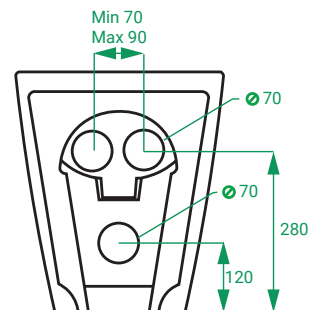
Front



Side Section



Back



NOTES

Accessories not included. Drawing indicates the technical measurement only and is not a reflection of how the product will look. Sizes are nominal only. All drawings in millimeters. Drawings not to scale. Feb 2024.