

## DESCRIPTION

Soft 650, 1 Drawer, 1 Open Shelf, Wall-Hung Vanity

## PRODUCT CODE

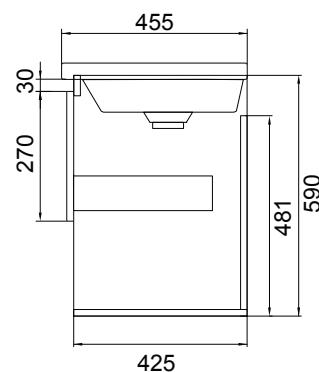
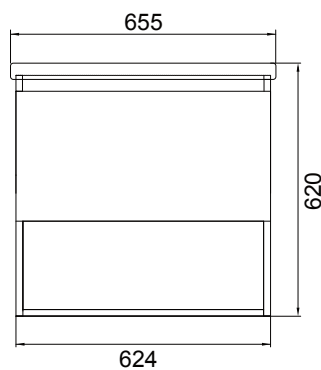
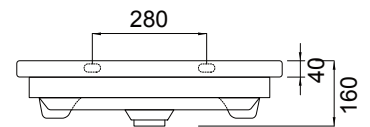
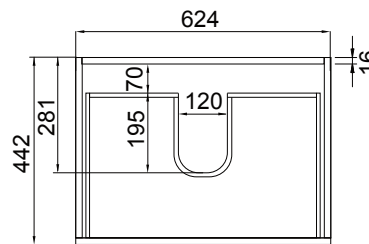
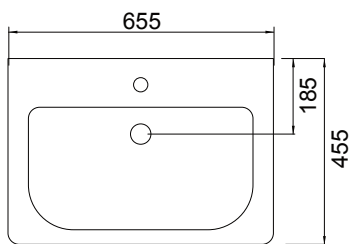
FT65DOSWH / FT65DOSWHM



## FEATURES

- Dimensions - W 655 x H 620 x D 455 mm
- Available in White Paint or Melamine finishes.
- Ceramic basin with overflow from Europe.
- White Paint - The paint used on our products is polyurethane or UV based. It is five times harder and more durable than lacquer finishes.
- Melamine - Our wood grain melamine is a low-pressure laminate.
- NZ-made cabinetry with soft close drawer & handleless design, offers deep convenient storage.
- Handleless design available in matching finish or contrasting Silver or Black Aluminium rail. Optional pull handle available at additional cost.

## TECHNICAL DRAWINGS



## NOTES

See our website for product prices. Drawing indicates the technical measurement only and is not a reflection of how the product will look. Sizes are nominal only. All drawings in millimeters. Drawings not to scale. Must use bottle traps to ensure drawers open, we recommend 40551-32 bottle trap. Please use a contoured waste with all china basins, we recommend A27, PUW68R or FT41045 wastes. Tapware & accessories not included. March 2023.