

## DESCRIPTION

Soft 1000, 2 Drawer, Wall Hung Vanity

## PRODUCT CODE

FT100D2WH / FT100D2WHM

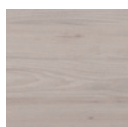


## FEATURES

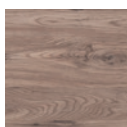
- Dimensions - W 1005 x H 620 x D 455 mm
- Available in White Paint or Melamine finishes.
- Ceramic basin with overflow from Europe.
- White Paint - The paint used on our products is polyurethane or UV based. It is five times harder and more durable than lacquer finishes.
- Melamine - Our wood grain melamine is a low-pressure laminate.
- NZ-made cabinetry with soft close drawer & handleless design, offers deep convenient storage.
- Handleless design available in matching finish or contrasting Silver or Black Aluminium rail. Optional pull handle available at additional cost.

## FINISHES

Melamine / White Gloss Paint



Driftwood



French Oak



Honey Ash



Classic Walnut



Original Oak



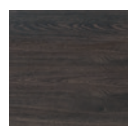
Smoked Ash



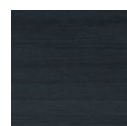
Southern Oak



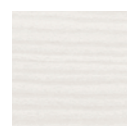
Hickory Walnut



Black Forest



Charred Oak



Nordic Ash



White Gloss

Please see reverse for technical drawings and measurements.

## NOTES

See our website for product prices. Drawing indicates the technical measurement only and is not a reflection of how the product will look. Sizes are nominal only. All drawings in millimeters. Drawings not to scale. Must use bottle traps to ensure drawers open, we recommend 40551-32 bottle trap. Please use a contoured waste with all china basins, we recommend A27, PUW68R or FT41045 wastes. Tapware & accessories not included. March 2023.

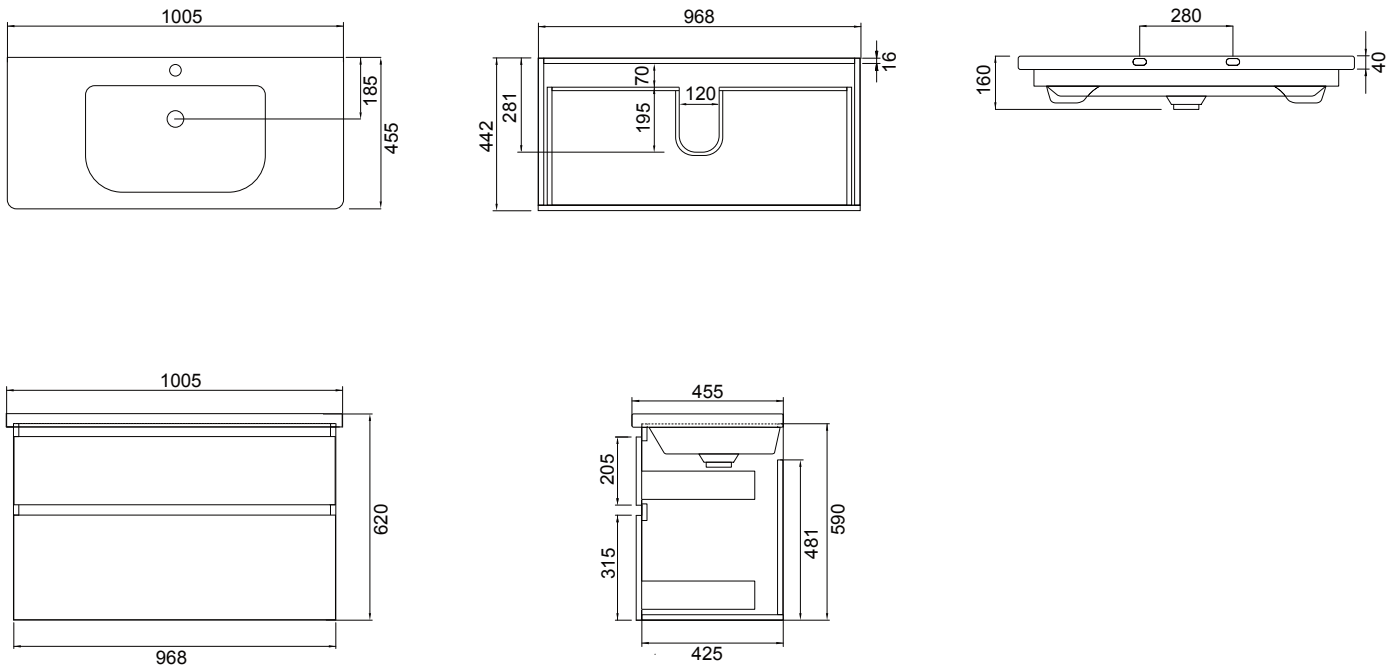
## DESCRIPTION

Soft 1000, 2 Drawer, Wall Hung Vanity

## PRODUCT CODE

FT100D2WH / FT100D2WHM

## TECHNICAL DRAWINGS



## NOTES

See our website for product prices. Drawing indicates the technical measurement only and is not a reflection of how the product will look. Sizes are nominal only. All drawings in millimeters. Drawings not to scale. Must use bottle traps to ensure drawers open, we recommend 40551-32 bottle trap. Please use a contoured waste with all china basins, we recommend A27, PUW68R or FT41045 wastes. Tapware & accessories not included. March 2023.