

## DESCRIPTION

Splash 900 Wall-Hung Vanity, 2 Drawers, White / Melamine

## PRODUCT CODE

SP90D2WH / SP90D2WHM



## FEATURES

- Dimensions: W900 x H550 x D455 mm
- Available in White paint (Gloss) or Melamine\*
- The paint used on our products is polyurethane based. It is five times harder and more durable than lacquer finishes.
- Timber Effect Melamine: Our wood grain melamine is a low-pressure laminate.
- Polymarble basin (acrylic)
- Soft-close drawer/s
- Comes with the Box Handle (H1), other handle options include the Mini Semi Handle (H4), Semi Handle (H2), or Semi Anodized Black Handle (H2-BK).
- Made to order in NZ.

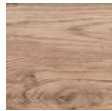
## MELAMINE / PAINT FINISHES



**MNA**  
Nordic Ash



**MDF**  
Driftwood



**MFO**  
French Oak



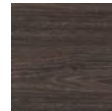
**MME**  
Manhattan  
Elm



**MSO**  
Southern  
Oak



**MHW**  
Hickory  
Walnut



**MBF**  
Black Forest



**MCO**  
Charred Oak



**No Code**  
White Paint  
(Gloss)

## TECHNICAL DRAWINGS

See following page.

## NOTES

- \*Made to order in NZ.
- Must use bottle traps to ensure drawers open, we recommend 40551-32 bottle trap.
- Please use a contoured waste with all basins, we recommend PUW68R (slotted, for basins with overflow) or W22 (unslotted, for basins with no overflow) wastes.
- March 2020.

## DESCRIPTION

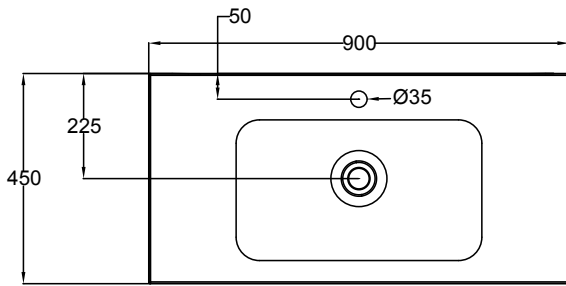
Splash 900 Wall-Hung Vanity, 2 Drawers, White / Melamine

## PRODUCT CODE

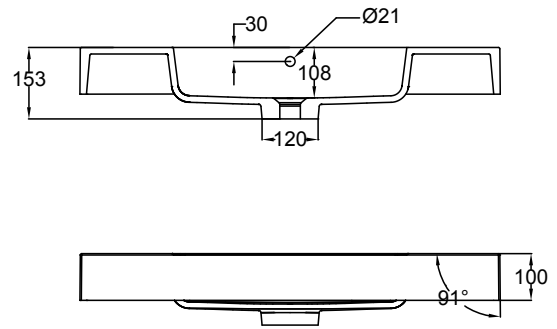
SP90D2WH / SP90D2WHM

## TECHNICAL DRAWINGS

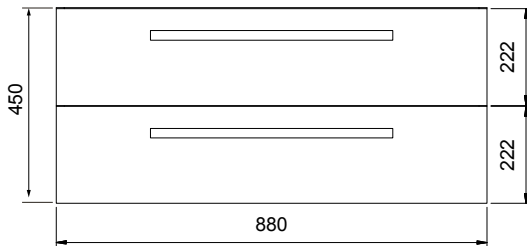
Top



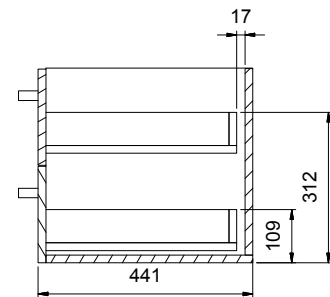
Front Section of Basin



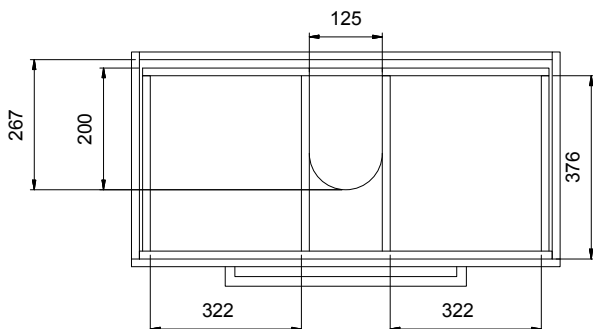
Front



Side



Top Section of Drawer



## NOTES

- Drawing indicates the technical measurement only and is not a reflection of how the unit will look.
- Sizes are nominal only.
- All drawings in millimeters.
- Drawings not to scale.
- March 2020.