

## DESCRIPTION

Rest Rimless Back-To-Wall Toilet Suite with Cistern

## PRODUCT CODE

REST-139

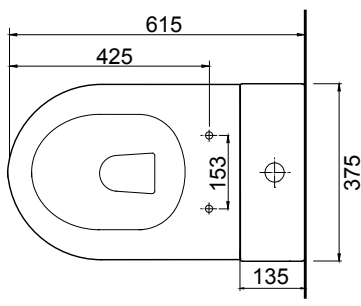


## FEATURES

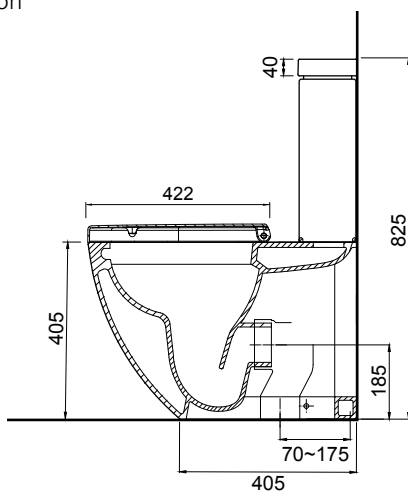
- Dimensions - W375 x H825 x D615 mm
- Toilet suite includes soft close seat and lid, and dual flush cistern. Floor-fix screw and elbow also included.
- Easy clean rimless design. Space saving size.
- Vitreous china with glazed box rim and trap.
- Removable soft close seat with stainless steel hinges.
- Efficient 4.5/3 litre flush distribution.
- 4 Star WELS rating.
- P-Trap pan, and comes with S-Trap Connector (284.M.30846).
- Top/back left or right inlet cistern.

## TECHNICAL DRAWINGS

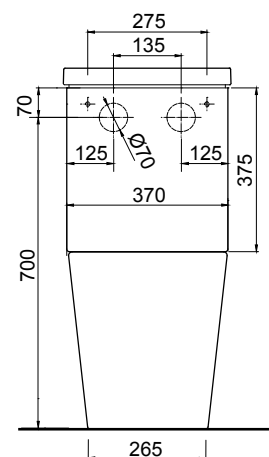
Top



Side Section



Front



## NOTES

S-trap connector supplied (120-170mm), however pan will work on extended measurement with other pan connectors. Drawing indicates the technical measurement only and is not a reflection of how the unit will look. Sizes are nominal only. All drawings in millimeters. Drawings not to scale. August 2019.

# Lucca Quadrant

vcbc

## DESCRIPTION

Lucca Quadrant Sliding Shower - 1000mm

## PRODUCT CODE

EQ1000 / LC100Q

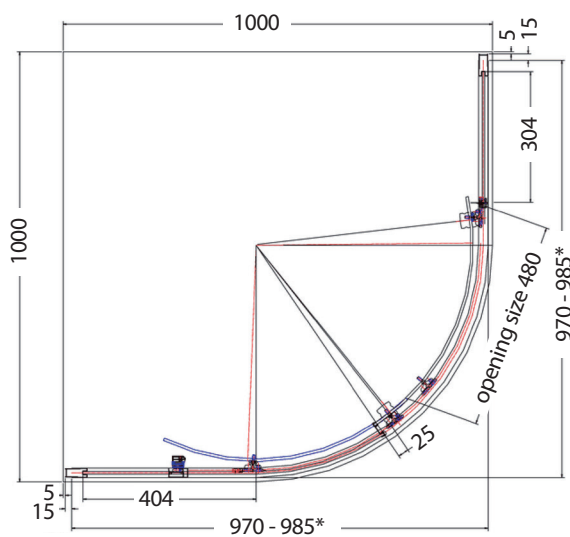


## FEATURES

- Dimensions - W1000 x H1950mm
- Door Entry - W480mm
- Silver finish frame with clear glass.
- 15mm adjustment for easy fitting per panel.
- Single sliding door with frameless glass system.
- Reversible design for either left or right corner entry.
- 6mm toughened safety glass with 3M Ultimate Glass Protection System.
- Power Showerproof - all shower screens and panels are laminated and treated to ensure the screen will not go damp or discolor, provides daily easy cleaning.
- Can be sold as shower door (EQ1000) only or in a package (LC100Q)^.

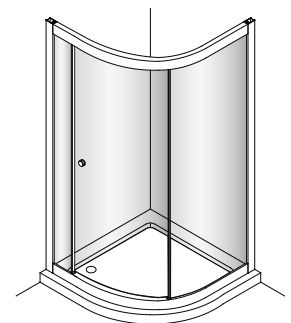
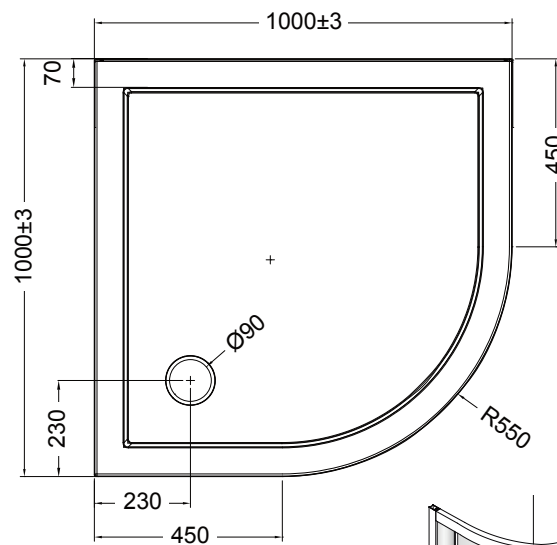
## TECHNICAL DRAWINGS

Quadrant Sliding Shower Door (EQ1000)



\*(15mm adjustment for easy fitting per panel)

Shower Tray (BSF-1000R)



Reversible Design  
(left or right corner entry)

## NOTES

^Package includes shower door & return, 2-sided acrylic wall liner, shower tray (BSF-1000R) with 2 upstands, easy clean waste and glue pack. If a liner or upstands are required – these are custom-made and are supplied after wall-to-wall GIB measurements have been provided. Drawing indicates the technical measurement only and is not a reflection of how the unit will look. Sizes are nominal only. All drawings in millimeters. Drawings not to scale. September 2019.