

DESCRIPTION

Qubo 900 Wall-Hung Vanity, 2 Drawers, White / Timber Veneer

PRODUCT CODE

QU90D2WH / QU90D2WHT



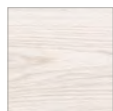
FEATURES

- Dimensions - W 910 x H 500 x D 470mm
- Available painted White (Gloss), Timber Veneer*, or your choice of paint colour.^
- Available in 4 other combinations of finishes (see below examples).
- The paint used on our products is polyurethane or UV based. It is five times harder and more durable than lacquer finishes.
- Timber veneer finishes are 100% natural, so each have variations in grain and colour. All come stained and sealed with a protective UV finish.
- Soft-close drawers.
- Italian-made, ceramic top with overflow. NZ-made cabinetry.

PAINT / TIMBER VENEER* FINISHES



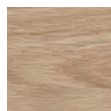
White Paint



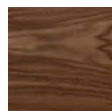
White Oak



Blonde Oak



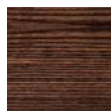
Natural Oak



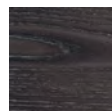
Walnut



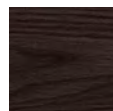
Chestnut



Coffee



Noce



Dark Oak



Custom Paint^

AVAILABLE IN OTHER COMBINATIONS



Contrasting Rail
in White / Timber Veneer
(CT)



Vertical Grooves
in White / Timber Veneer
(VG / TVG)**



Timber Veneer Cabinet
with Painted Drawer
(PT)



Painted Cabinet with
Timber Veneer Drawer
(PTD)

NOTES

Please see reverse for technical drawings. *Non-stock item. ^15% surcharge applies for custom paint colours, 25% for metallic and black. **Vertical Grooves only available in White Paint, White Oak, Chestnut, Coffee, Noce and Dark Oak Timber Veneer. September 2019.

DESCRIPTION

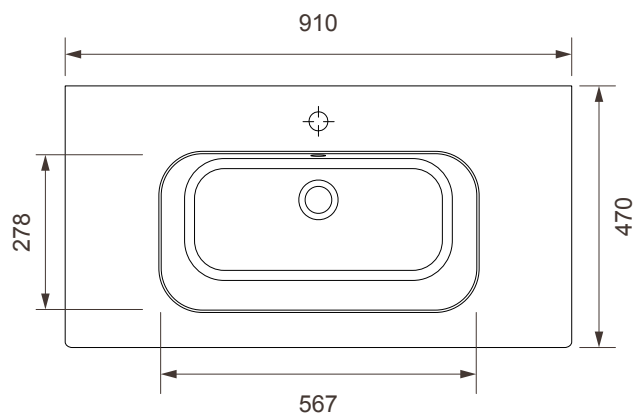
Qubo 900 Wall-Hung Vanity, 2 Drawers, White / Timber Veneer

PRODUCT CODE

QU90D2WH / QU90D2WHT

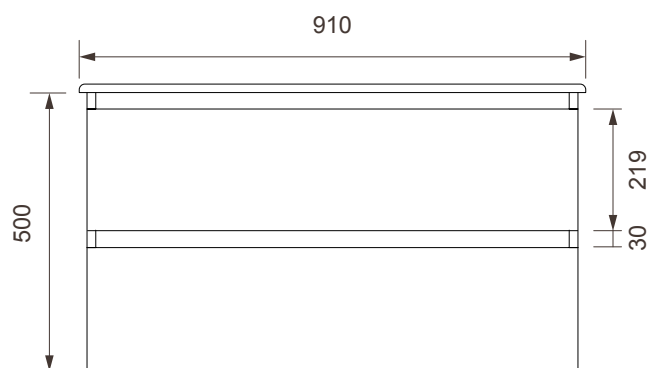
TECHNICAL DRAWINGS

Top

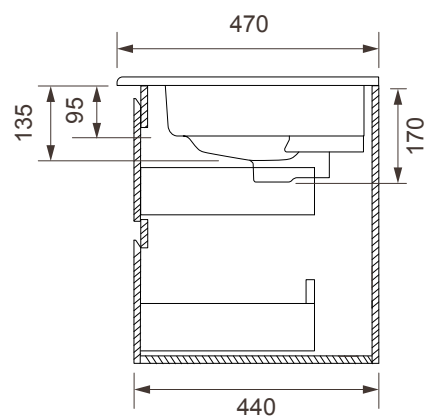


Back

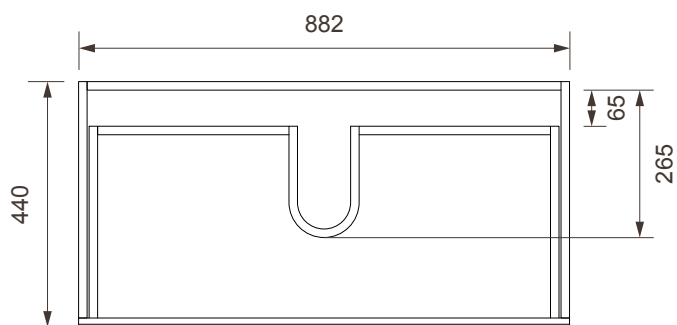
Front



Side Section



Top Section of Drawer



NOTES

Drawing indicates the technical measurement only and is not a reflection of how the unit will look. Sizes are nominal only. All drawings in millimeters. Drawings not to scale.