

DESCRIPTION

Qubo 710 Wall-Hung Vanity, 1 Drawer, White / Timber Veneer

PRODUCT CODE

QU71DWH / QU71DWHT



FEATURES

- Dimensions - W 710 x H 415 x D 470mm
- Available painted White, in Timber Veneer*, or in your choice of paint colour.^
- The paint used on our products is polyurethane or UV based. It is five times harder and more durable than lacquer finishes.
- Timber veneer finishes are 100% natural, so each have variations in grain and colour. All come stained and sealed with a protective UV finish.
- Soft-close drawers.
- Italian-made, ceramic basin with overflow. NZ-made cabinetry.

PAINT / TIMBER VENEER* FINISHES



White Paint



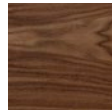
White Oak



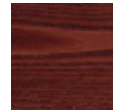
Blonde Oak



Natural Oak



Walnut



Chestnut



Coffee



Noce



Dark Oak



Custom Paint^

AVAILABLE IN OTHER COMBINATIONS



Contrasting Rail
in White / Timber Veneer
(CT)



Vertical Grooves
in White / Timber Veneer
(VG / TVG)**



Timber Veneer Cabinet
with Painted Drawer
(PT)



Painted Cabinet with
Timber Veneer Drawer
(PTD)

NOTES

Please see reverse for technical drawings. *Non-stock item. ^15% surcharge applies for custom paint colour, 25% for metallic and black gloss. **Vertical Grooves only available in White Paint, White Oak, Chestnut, Coffee, Noce and Dark Oak Timber Veneer. September 2019.

DESCRIPTION

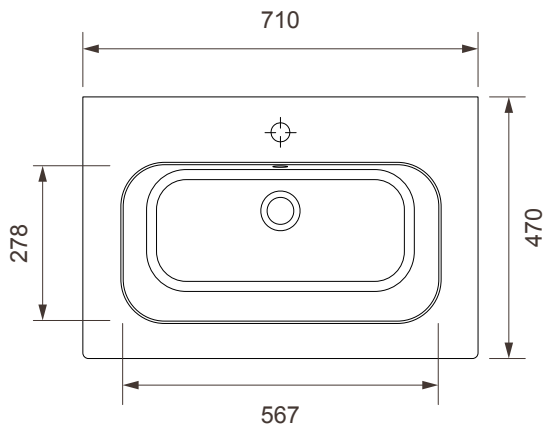
Qubo 710 Wall-Hung Vanity, 1 Drawer, White / Timber Veneer

PRODUCT CODE

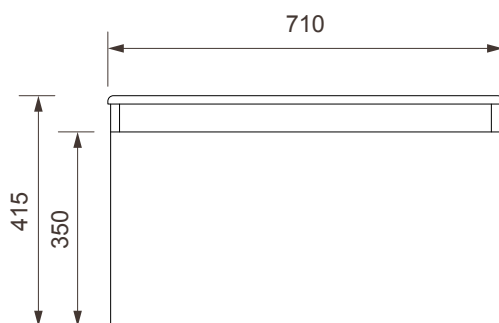
QU71DWH / QU71DWH

TECHNICAL DRAWINGS

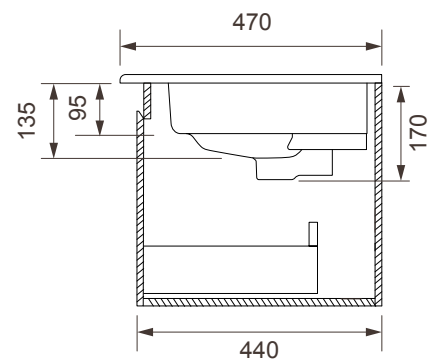
Top



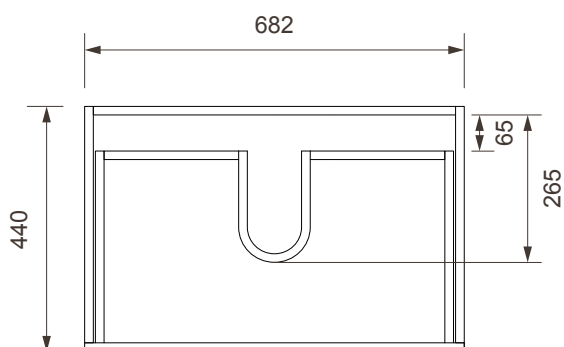
Front



Side Section



Top Section of Drawer



NOTES

Drawing indicates the technical measurement only and is not a reflection of how the unit will look. Sizes are nominal only. All drawings in millimeters. Drawings not to scale.