

Burlington®

Simply Exclusive
Classically styled bathrooms



S trap low level WC with 440 lever cistern

Code Name

P19 Low level s-trap pan

C3 Close coupled/low level ceramic lever cistern

T31CHR Low level flush pipe kit including flush pipes and reverse screw cistern connector

Finishes: P19 & C3 White; T31 Chrome plated

Product Type: Traditional

Material: P19 & C3 Vitreous china; T31 Bodies are of all brass construction.

Overall height: 1075mm

Size: W 454 x D 740 x H 960 - 1140 mm

Weight: 33.59kg

Additional Information

- The low level wc uses a specialised low level cistern, connected with a low level flush pipe kit T31 CHR
- The cistern height can be varied by cutting the vertical flush pipe to length - maximum height is 1,075mm to the top of the cistern, minimum height is 900mm.
- Inlet position is located on the base of cistern tank on the right side
- Dual flush cistern fittings with ceramic lever on the right. Press lever down for 6 litre flush and up for 3 litre flush.
- Low level wc must be used with standard Burlington toilet seats. Available in Oak, Mahogany, White and Matt Black (indent item).
- Comes with White ceramic flush lever, also available in Black at an additional cost.
- Supplied with floor fixings.

All seat finishes:

S16 - Oak



S17 - Mahogany



S18 - White



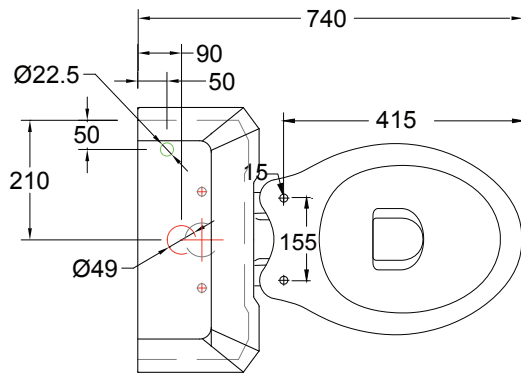
S48 - Matt Black





Burlington®

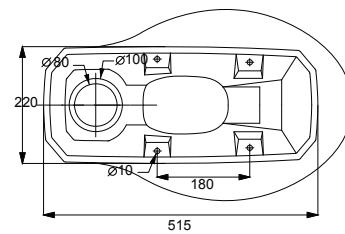
Simply Exclusive
Classically styled bathrooms

Top

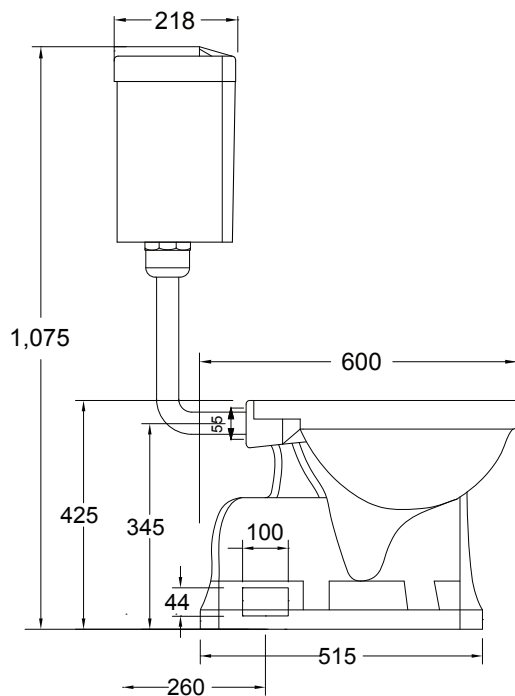


-  Inlet hole bottom right
-  Outlet hole

Bottom



Side



(To achieve this dimension by 240mm, cut the pipe by 20mm)

Back

