

# Burlington®

Simply Exclusive  
Classically styled bathrooms



## S trap medium level WC with 440 lever cistern

Code	Name
P18	Burlington close coupled S trap pan for floor mounted outlet pipe
C3	Close Coupled / Low level cistern 44 cm Ceramic Lever (incl. bottom entry cistern fittings)
T33 CHR	Medium level flush pipe kit including medium ornate brackets in chrome

**Finishes:** P18 & C3 White; T33 Chrome plated

**Product Type:** Traditional

**Material:** P18 & C3 Vitreous china; T33 Bodies are of all brass construction.

**Overall height:** 141.7 cm

**Size:** 454 x 715 x 1417 mm

**Weight:** 35.7kg

**Barcodes:** T33 CHR (5055806007147), C3 (5055806002241), P18 (5055806012967)

### Additional Information

The medium level wc uses a standard close coupled pan and close coupled cistern, connected with a medium level flush pipe kit T33 CHR

SP511 : Back entry kit for C1/C2/C3/C4/C30, including back entry inlet valve with flexible hose and plug

The S trap P18 pan & C30 cistern combination should be used where the distance from the wall to the center of the soil pipe in the floor is 24cm

The cistern height can be varied by cutting the vertical flush pipe to length - maximum height is 1,425mm to the top of the cistern, minimum height is 1,125mm.

The soil pipe is fully enclosed and not visible

Water Inlet valve hole is located on the base of cistern tank on the right hand side

Bottom inlet valve (SP5A). Back inlet valve available as optional item (SP511).

Dual flush cistern fittings with ceramic lever on the right.

Cistern connected to pan with internal bolts.

Close coupled wc must be used with standard Burlington toilet seats

The S trap P18 pan & C1/C2/C3/C4 cistern combination should be used where the distance from the wall to the center of the soil pipe in the floor is 21cm; If the wall to soil pipe distance is less than 24cm, then use the combination of P18 pan & C30 cistern tank

### Compliance / Approvals

BS EN 33:2011

Pedestal W.C. pans with close-coupled flushing cistern

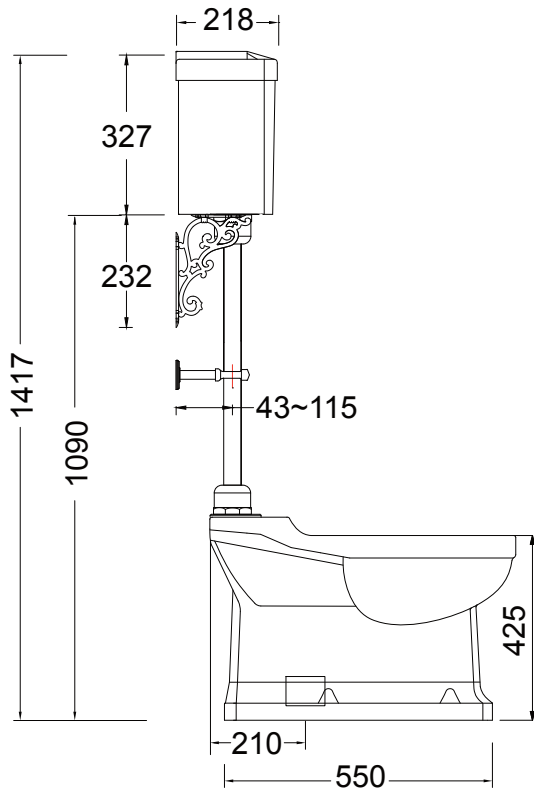
BS EN 997:2012

WC pans and WC suites with integral trap

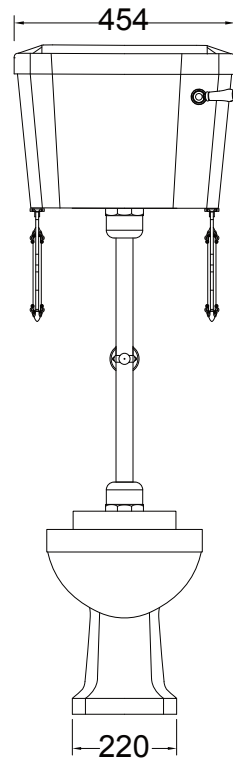
# Burlington®

Simply Exclusive  
Classically styled bathrooms

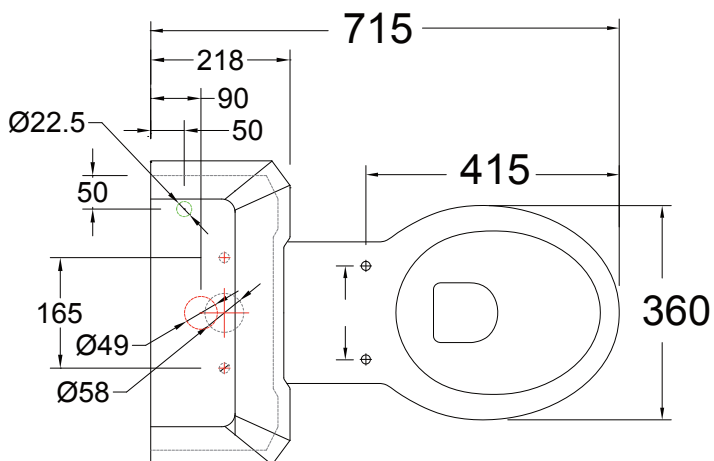
Side



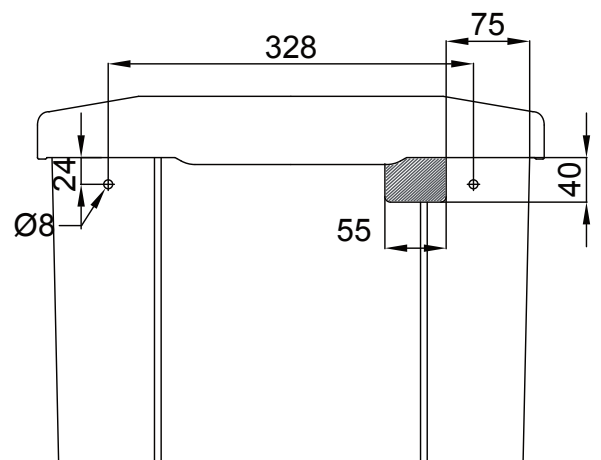
Front





Top



Back



 Inlet hole bottom right

 Outlet hole