

# Burlington®

Simply Exclusive  
Classically styled bathrooms



## Regal medium level WC with 440 lever cistern

Code	Name
P12	Regal close coupled p-trap pan
C3	Close Coupled / Low level cistern 44 cm Ceramic Lever (incl. bottom entry cistern fittings)
T33 CHR	Medium level flush pipe kit including medium ornate brackets in chrome

### TOTAL

**Finishes:** P18 & C3 White; T33 Chrome plated

**Product Type:** Traditional

**Material:** P18 & C3 Vitreous china; T33 Bodies are of all brass construction.

**Overall height:** 149.2 cm

**Size:** 454 x 730 x 1492 mm

**Weight:** 38.15kg

**Barcodes:** T33 CHR (5055806007147), P12 (5055806005136), C3 (5055806002241)

### Additional Information

The medium level wc uses a standard close coupled pan and close coupled cistern, connected with a medium level flush pipe kit T33 CHR

SP511 : Back entry kit for C1/C2/C3/C4/C30, including back entry inlet valve with flexible hose and plug

The cistern height can be varied by cutting the vertical flush pipe to length - maximum height is 1,425mm to the top of the cistern, minimum height is 1,125mm.

Regal Height pan P12 (floor to pan rim height 48cm) is 8cm taller than a standard pan.

Water Inlet valve hole is located on the base of cistern tank on the right hand side

Bottom inlet valve (SP5A). Back inlet valve available as optional item (SP511).

SP511: Back entry kit for C1/C3/C24, including back entry inlet valve with flexible hose and plug  
Dual flush cistern fittings with ceramic lever on the right.

Ceramic soil connection pipes : straight connector to the wall: C29. The S trap connector bending down to the floor: C26

Metal connection bracket.

Supplied with floor fixings.

Recommended to be used with cistern tank isolation valve W25

### Compliance / Approvals

BS EN 997:2012

WC pans and WC suites with integral trap

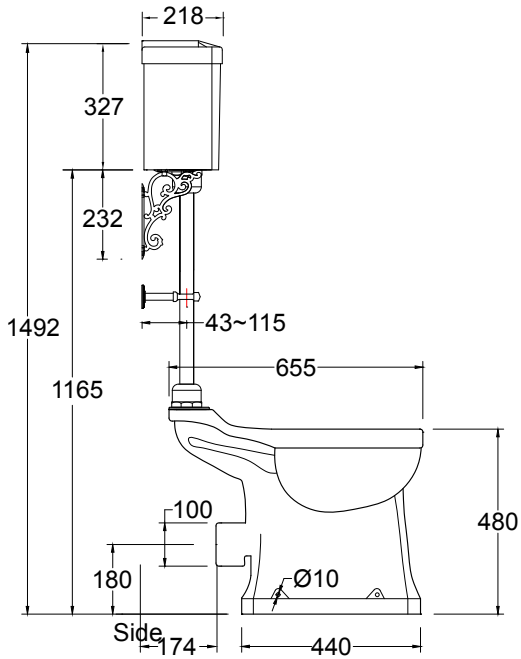
BS EN 33:2011

Pedestal W.C. pans with close-coupled flushing cistern. Connecting dimensions

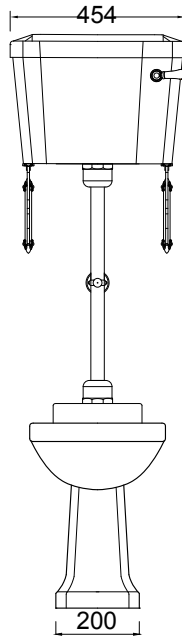
# Burlington®

Simply Exclusive  
Classically styled bathrooms

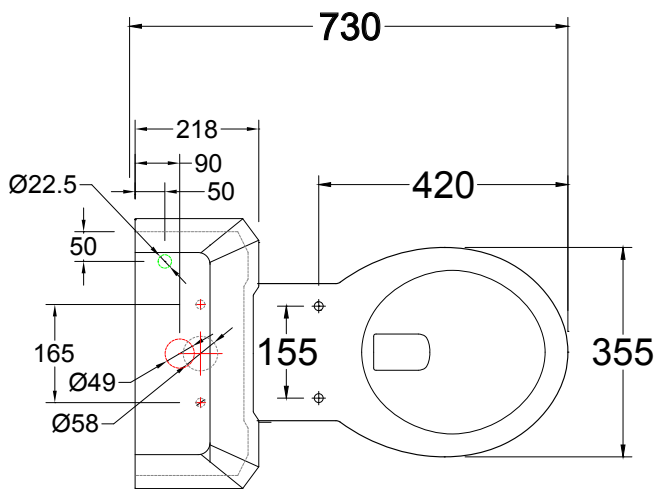
Side



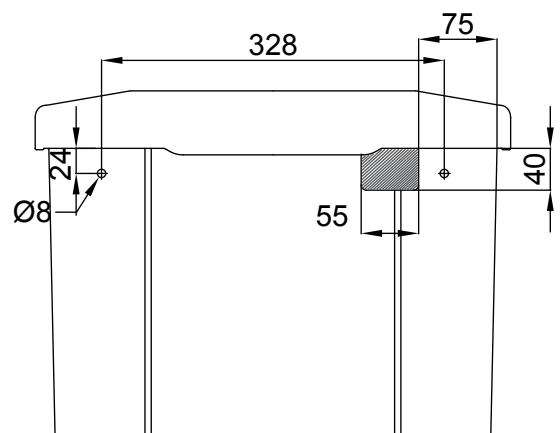
Front





Top



Back



-  Inlet hole bottom right
-  Outlet hole