

## DESCRIPTION

Ovo 600, 2 Drawers Wall-Hung Vanity with Urban Ceramic Basin

## PRODUCT CODE

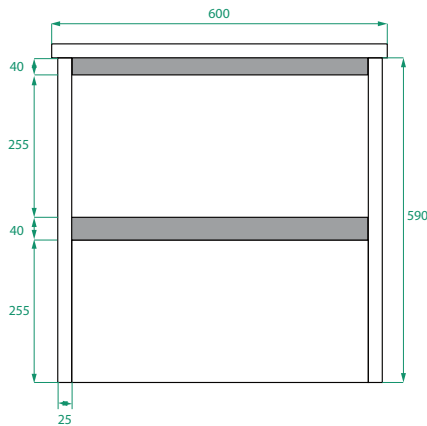
OVO60D2WH / OVO60D2WHT / OVO60D2WHCC



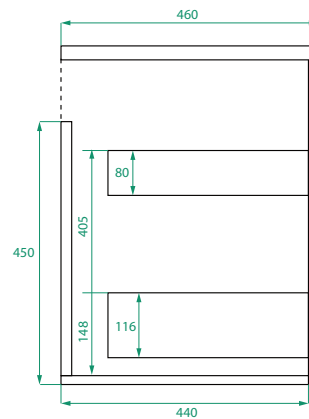
<b>Dimensions</b>	W 600 x H 620 x D 460 (mm)
<b>Finishes</b>	Matte White, Matte Custom Paint or Timber Veneer.
<b>Basin</b>	Urban ceramic top (H 30) with intergrated basin
<b>Handle</b>	Handleless 45° design.
<b>Origin</b>	New Zealand made cabinetry.
<b>Features</b>	<ul style="list-style-type: none"> <li>• Soft rounded corners.</li> <li>• 2 Drawers with soft-close and handleless design.</li> <li>• Urban ceramic top with intergrated basin</li> <li>• Timber Veneer finishes are 100% natural, with variations in grain and colour. All come stained and sealed with a protective UV finish.</li> <li>• The paint used on our products is polyurethane or UV based.</li> </ul>

## TECHNICAL DRAWINGS

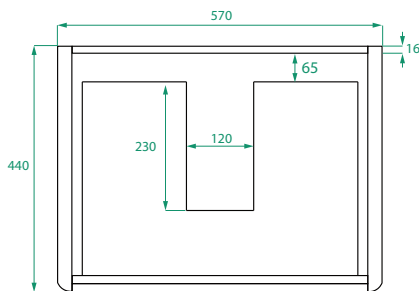
Front



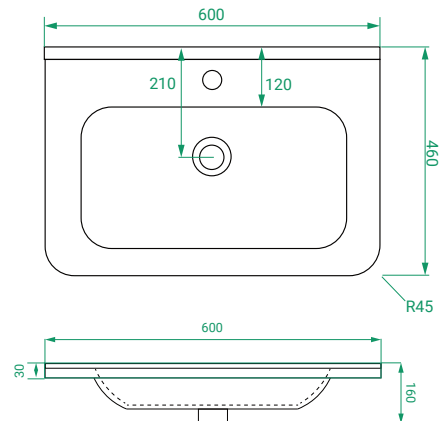
Side



Drawers



Urban Ceramic



## NOTES

Accessories not included. Drawing indicates the technical measurement only and is not a reflection of how the product will look. Sizes are nominal only. All drawings in millimeters. Drawings not to scale. April 2024.