

DESCRIPTION

Onda Wall-Hung Toilet Suite

PRODUCT CODE

OZ15

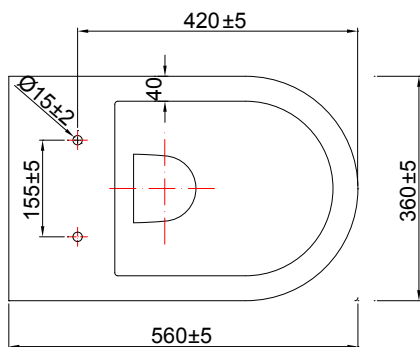


FEATURES

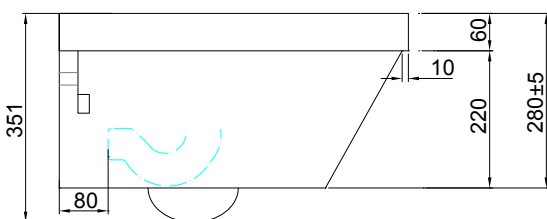
- Dimensions - W360 x D560 x H351 mm
- Toilet suite includes soft close seat and lid, in-wall cistern and dual flush plate.
- Vitreous china with glazed box rim and trap.
- Removable soft close seat with stainless steel hinges.
- Please specify which flush plate you would like – round or rectangle, available in White
- In-wall cistern comes with adjustable flush valve.
- 4.3/3 litre flush distribution. 4 Star WELS rating.
- P-Trap pan.

TECHNICAL DRAWINGS

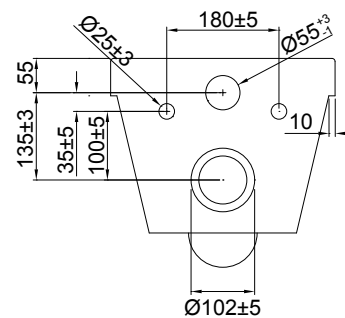
Top



Side Section



Back



NOTES

Pan set outs reflect the range permissible within the pan shroud with a range of connectors. Drawing indicates the technical measurement only and is not a reflection of how the product will look. Sizes nominal only. Drawings in millimeters, not to scale. August 2019.

In-Wall Cistern

vcbc

DESCRIPTION

In-Wall Cistern with Steel Frame

PRODUCT CODE

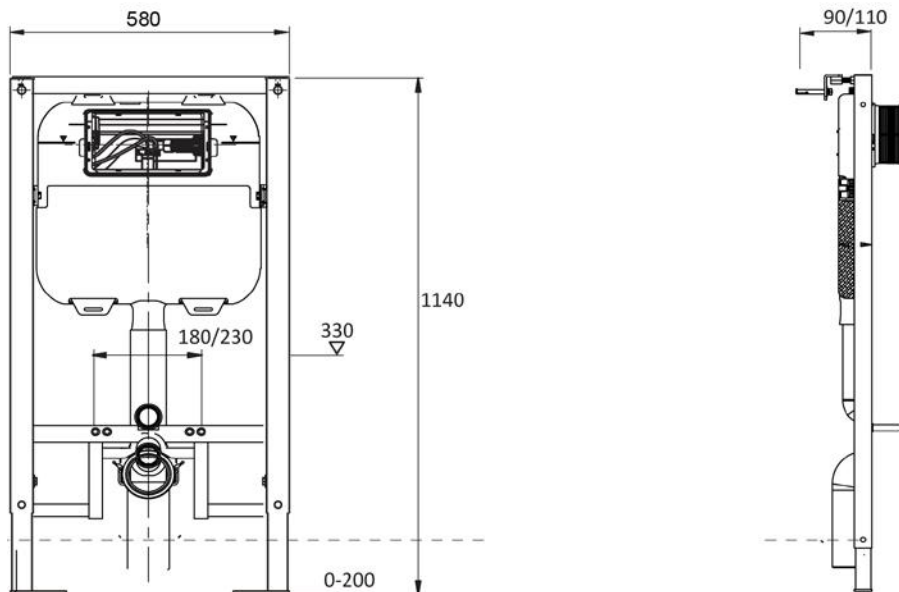
3D1.1004



FEATURES

- Dimensions - W580 x H1140 x D110 mm
- Steel frame for use with wall-hung toilets.
- To fit into 90mm walls. The fully framed cistern has adjustable height and comes complete with 100mm water outlet.
- Adjustable dual flush valve and height frame.
- Pair with our round or rectangle flush plates, available in White, Chrome High Gloss, Chrome Matt, or Black (sold separately).
- 4 Star WELS rating.

TECHNICAL DRAWINGS



NOTES

Drawing indicates the technical measurement only and is not a reflection of how the product will look. Sizes nominal only. Drawings in millimeters, not to scale. August 2019.

Flush Plates

vcbc

DESCRIPTION

Round Flush Plates, White / Chrome

PRODUCT CODE

3D1.1106



FEATURES

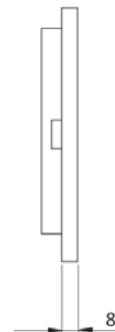
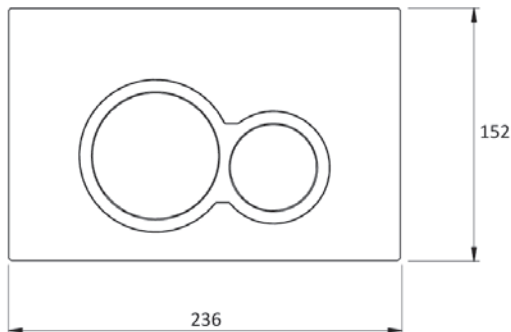
- Dimensions - W236 x H152 x D8 mm
- Round flush plates for in-wall cisterns

FINISHES

All finishes have Chrome Gloss Button Trim

- White Gloss (3D1.1106)

TECHNICAL DRAWINGS



NOTES

*Additional cost. Drawing indicates the technical measurement only and is not a reflection of how the product will look. Sizes nominal only. Drawings in millimeters, not to scale. August 2023.

Flush Plates

vcbc

DESCRIPTION

Rectangle Flush Plates, White / Chrome

PRODUCT CODE

3D1.1009/



FEATURES

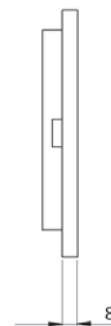
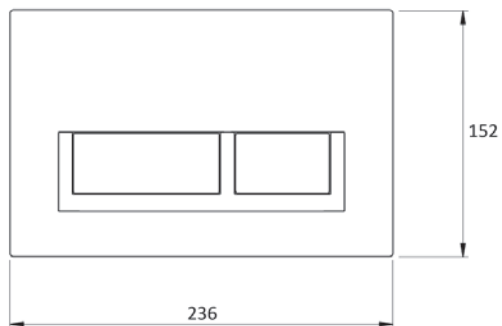
- Dimensions - W236 x H152 x D8 mm
- Rectangle flush plates for in-wall cisterns

FINISHES

All finishes have Chrome Gloss Button Trim

- White Gloss (3D1.1009)

TECHNICAL DRAWINGS



NOTES

*Additional cost. Drawing indicates the technical measurement only and is not a reflection of how the product will look. Sizes nominal only. Drawings in millimeters, not to scale. August 2023.