

DESCRIPTION

Onda Wall-Faced Toilet Suite

PRODUCT CODE

OZ14

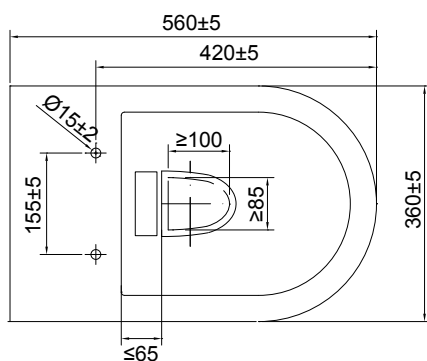


FEATURES

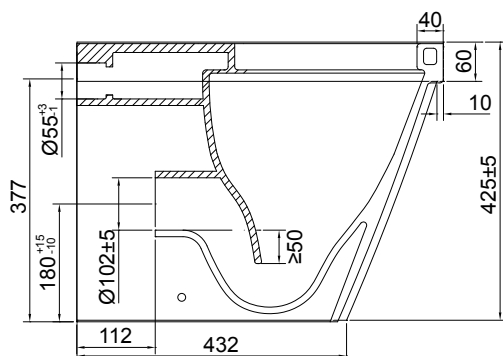
- Dimensions - W360 x D560 x H425 mm
- Toilet suite includes soft close seat and lid, in-wall cistern and dual flush plate.
- Vitreous china with glazed box rim and trap.
- Removable soft close seat with stainless steel hinges.
- Pair with our round or rectangle flush plates, available in White, Chrome High Gloss, Chrome Matt, or Black.
- In-wall cistern comes with adjustable flush valve.
- 4.3/3 litre flush distribution. 4 Star WELS rating.
- P-Trap pan.

TECHNICAL DRAWINGS

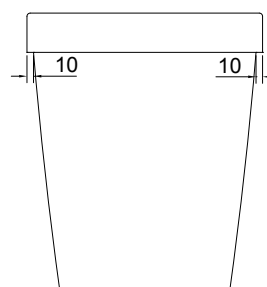
Top



Side Section



Front



NOTES

Pan set outs reflect the range permissible within the pan shroud with a range of connectors. Drawing indicates the technical measurement only and is not a reflection of how the product will look. Sizes nominal only. Drawings in millimeters, not to scale. August 2019.

In-Wall Cistern

vcbc

DESCRIPTION

In-Wall Cistern

PRODUCT CODE

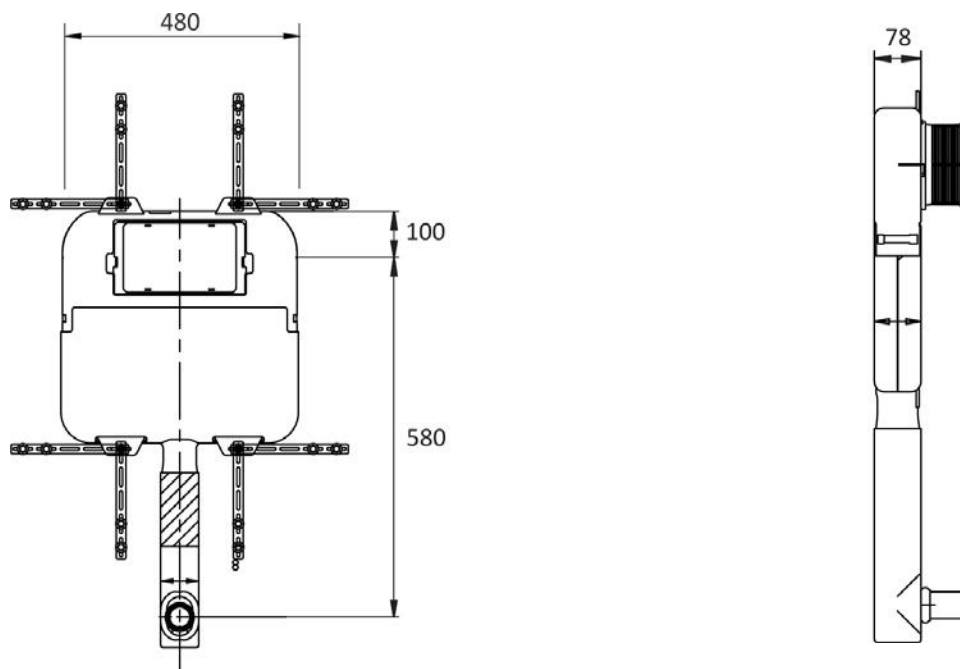
3D1.1005



FEATURES

- Dimensions - W480 x H735 x D78 mm
- In-wall cistern for floor-standing toilets.
- Comes with adjustable dual flush valve, fit into 90mm walls.
- Pair with our round or rectangle flush plates, available in White, Chrome High Gloss, Chrome Matt, or Black (sold separately).
- 4 Star WELS rating.

TECHNICAL DRAWINGS



NOTES

Drawing indicates the technical measurement only and is not a reflection of how the product will look. Sizes nominal only. Drawings in millimeters, not to scale. August 2019.

Flush Plates

vcboc

DESCRIPTION

Round Flush Plates, White / Chrome High Gloss / Chrome Matt / Black

PRODUCT CODE

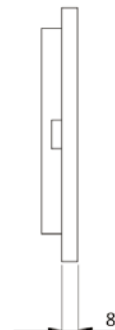
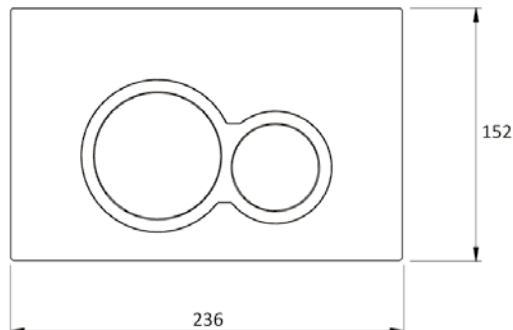
3D1.1106 / 3D1.1010
3D1.1008 / K5130-23



FEATURES

- Dimensions - W236 x H152 x D8 mm
- Round flush plates for in-wall cisterns
- Available in White (3D1.1106), Chrome High Gloss (3D1.1010), Chrome Matt (3D1.1008) or Black (K5130-23).

TECHNICAL DRAWINGS



NOTES

Drawing indicates the technical measurement only and is not a reflection of how the product will look. Sizes nominal only. Drawings in millimeters, not to scale. August 2019.

Flush Plates

vcboc

DESCRIPTION

Rectangle Flush Plates, White / Chrome High Gloss / Chrome Matt / Black

PRODUCT CODE

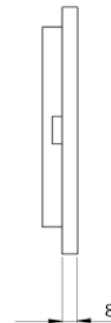
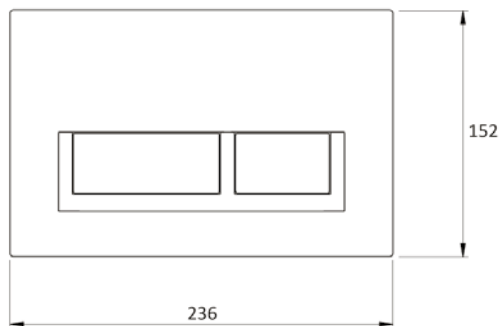
3D1.1009/3D1.1010
3D1.1011/K5131-23



FEATURES

- Dimensions - W236 x H152 x D8 mm
- Rectangle flush plates for in-wall cisterns
- Available in White (3D1.1009), Chrome High Gloss (3D1.1010), Chrome Matt (3D1.1011) or Black (K5131-23).

TECHNICAL DRAWINGS



NOTES

Drawing indicates the technical measurement only and is not a reflection of how the product will look. Sizes nominal only. Drawings in millimeters, not to scale. August 2019.