

DESCRIPTION

Onda Accessible Extended Wall-Faced Toilet Suite with Single Seat

PRODUCT CODE

OZ127

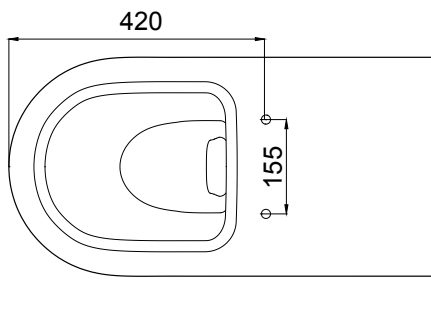


FEATURES

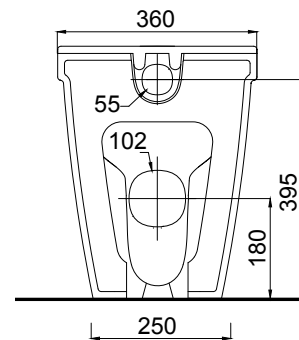
- Dimensions - W360 x H455 x D700 mm
- Toilet suite includes single soft close seat, in-wall cistern and dual flush plate.
- Vitreous china with glazed box rim and trap.
- Removable soft close seat with stainless steel hinges.
- Please specify which flush plate you would like – round or rectangle, available in White, Chrome High Gloss, Chrome Matt, or Black.
- In-wall cistern comes with adjustable flush valve.
- 6/3 litre flush distribution. 3 Star WELS rating.
- P-Trap pan, and comes with S-Trap Connector (STC).

TECHNICAL DRAWINGS

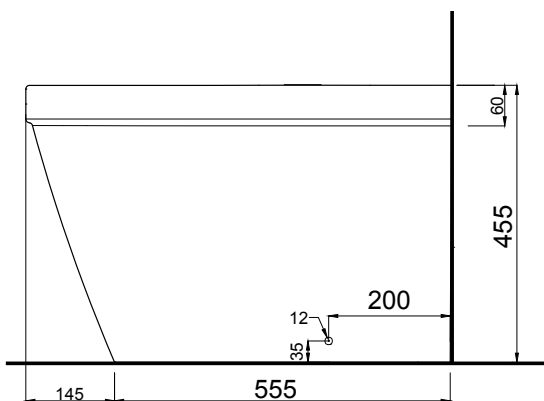
Top



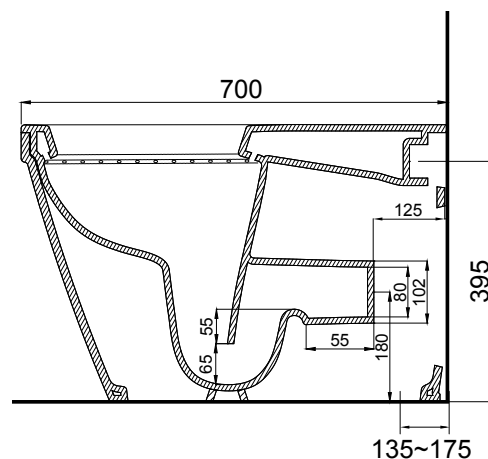
Back



Side



Side Section



NOTES

Pan set outs reflect the range permissible within the pan shroud with a range of connectors. Onda Accessible package meets NZS 4121. Drawing indicates the technical measurement only and is not a reflection of how the product will look. Sizes nominal only. Drawings in millimeters, not to scale. August 2019.

In-Wall Cistern

vcbc

DESCRIPTION

In-Wall Cistern (for Floor-Standing Toilets)

PRODUCT CODE

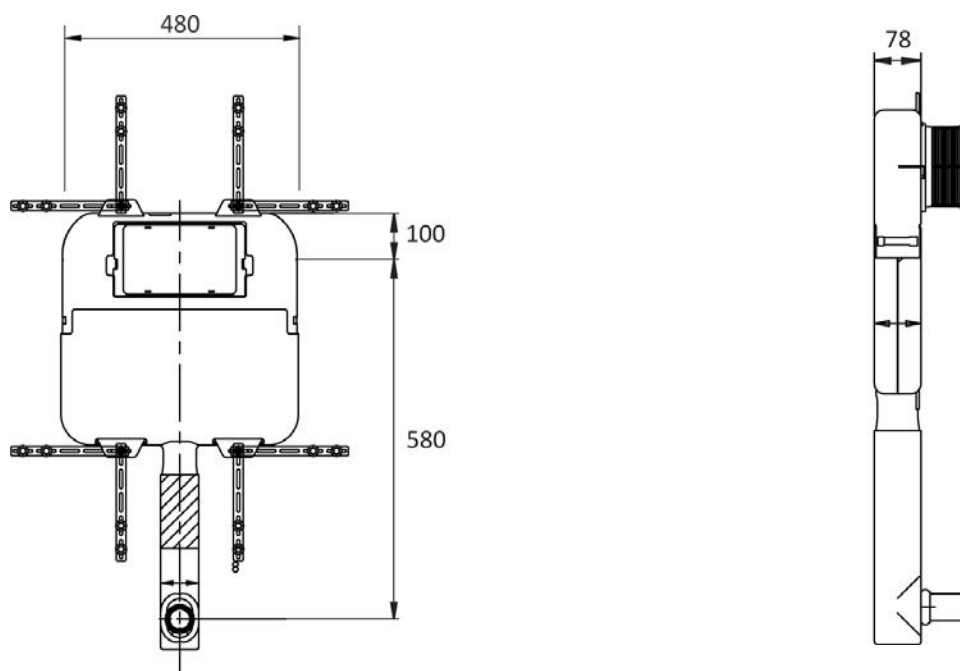
3D1.1005



FEATURES

- Dimensions - W480 x H735 x D78 mm
- Thickness of cistern 80mm, fits into 90mm walls
- Pair with our Round / Rectangle Flush Plate, available in White / Chrome High Gloss / Chrome Matt / Black (sold separately).
- Concealed cistern insulated to prevent condensation
- Adjustable dual flush valve
- Supplied with flush bend pipe
- Protection cover for service opening
- Inlet location hole is at the top
- 4 star WELS rating

TECHNICAL DRAWINGS



NOTES

Drawing indicates the technical measurement only and is not a reflection of how the product will look. Sizes nominal only. Drawings in millimeters, not to scale. August 2019.

Flush Plates

vcboc

DESCRIPTION

Round Flush Plates, White / Chrome High Gloss / Chrome Matt / Black

PRODUCT CODE

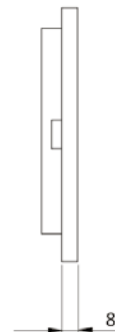
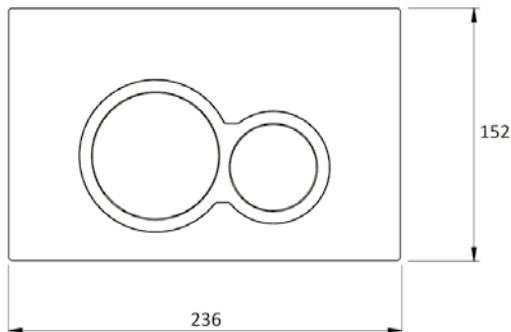
3D1.1106 / 3D1.1010
3D1.1008 / K5130-23



FEATURES

- Dimensions - W236 x H152 x D8 mm
- Round flush plates for in-wall cisterns
- Available in White (3D1.1106), Chrome High Gloss (3D1.1010), Chrome Matt (3D1.1008) or Black (K5130-23).

TECHNICAL DRAWINGS



NOTES

Drawing indicates the technical measurement only and is not a reflection of how the product will look. Sizes nominal only. Drawings in millimeters, not to scale. August 2019.

Flush Plates

vcboc

DESCRIPTION

Rectangle Flush Plates, White / Chrome High Gloss / Chrome Matt / Black

PRODUCT CODE

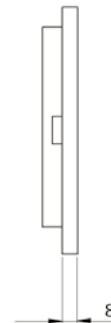
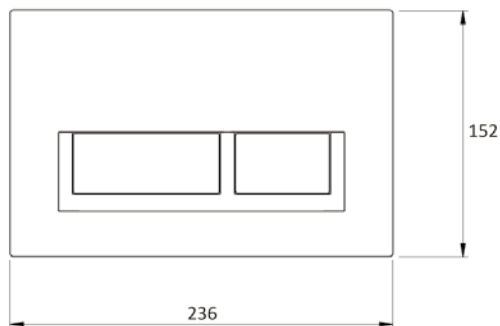
3D1.1009/3D1.1010
3D1.1011/K5131-23



FEATURES

- Dimensions - W236 x H152 x D8 mm
- Rectangle flush plates for in-wall cisterns
- Available in White (3D1.1009), Chrome High Gloss (3D1.1010), Chrome Matt (3D1.1011) or Black (K5131-23).

TECHNICAL DRAWINGS



NOTES

Drawing indicates the technical measurement only and is not a reflection of how the product will look. Sizes nominal only. Drawings in millimeters, not to scale. August 2019.