

DESCRIPTION

Patinato Petite Freestanding Clearstone Bath

PRODUCT CODE

N3ACS

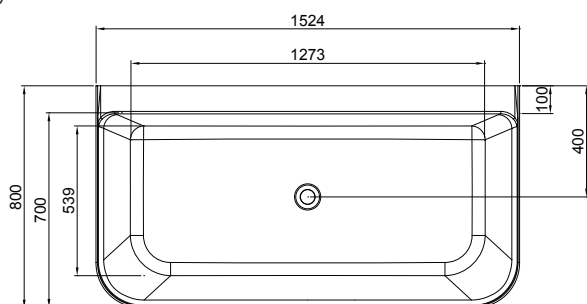


FEATURES

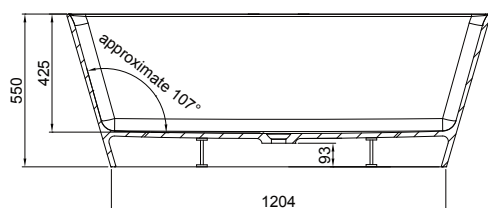
- Dimensions - L1524 x H550 x W800 mm
- Weight - 85kg
- Displaced Capacity - 167 litres*
- Made of ClearStone - an advanced, new material bonded together with milled sedimentary stone and high performance aluminum and titanium filler base. The result creates a hard wearing, scratch resistant surface with exceptional performance engineered to last a lifetime.
- High gloss surface in a brilliant white colour.
- Delicate rims and softer profiles.
- Suitable for rim mounted fittings or panel valves.
- No overflow. Template for overflow drilling is attached to the bath for easy installation on site. May be drilled for a combined bath filler and overflow.

TECHNICAL DRAWINGS

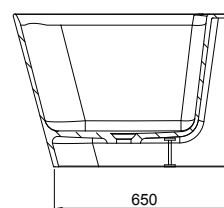
Top



Front



Side Section



NOTES

*Volume of water contained in the bath if filled to the overflow less 70 litres to allow for an average person in the bath. Suction mats not to be used on this bath. Included bath waste (CW2). Tapware and accessories not included. Drawing indicates the technical measurement only and is not a reflection of how the unit will look. Sizes are nominal only. All drawings in millimeters. Drawings not to scale. August 2019.