

Mike Pro Single Shower Mixer /

vcbc

DESCRIPTION

Mike Pro Single Shower Mixer

PRODUCT CODE

158.G.21387

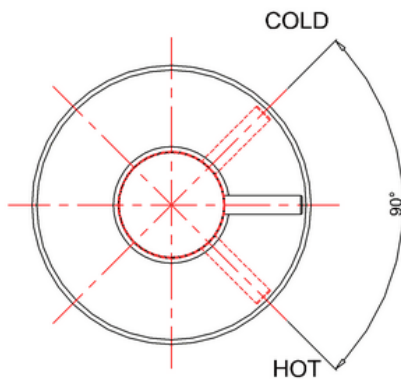


FEATURES

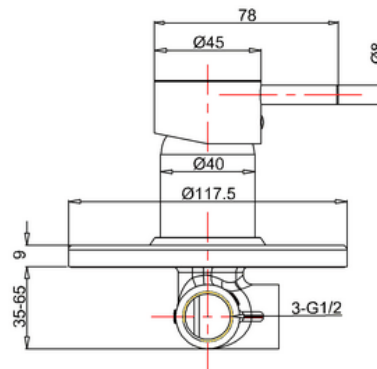
- Dimensions - W120 x H215 x D139 mm
- Single Lever
- Wall-Mounted Shower Mixer
- Suitable low or mains pressure
- Round face plate

TECHNICAL SPECS

Top View



Side View



Note:

For the each part, the dimension tolerance should be followed the list below.

0 ~ 100	101 ~ 200	201 ~ 400	>401
±1	±2	±3	±5

For the finished assembly, the dimension tolerance should be followed the list below.

0 ~ 300	>301
±2	±5

NOTES

- Tapware & accessories not included • No tap holes or overflow. • Please use a contoured waste with all basins. Requires an unslotted waste.
- Drawing indicates the technical measurement only and is not a reflection of how the product will look. Sizes nominal only. Drawings in millimetres. Not to scale. • Tap holes do not come pre-drilled – this is the responsibility of the installer, and can be cut with a hole saw, jigsaw or router. March 2021.