

Mike Pro Floor Mount Shower Mixer /

vcbc

PRODUCT CODE

PRO416FC

DESCRIPTION

Mike Pro Floor Mount Shower Mixer

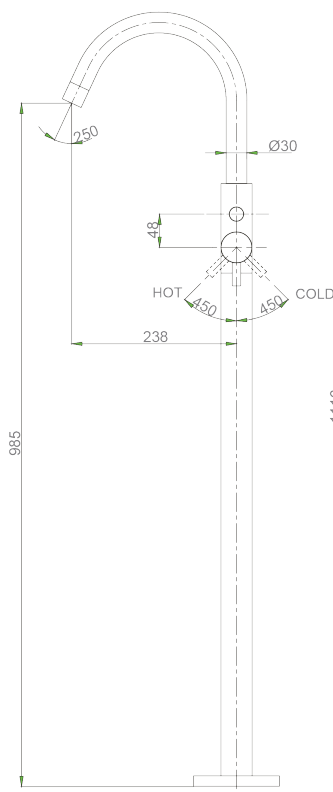


FEATURES

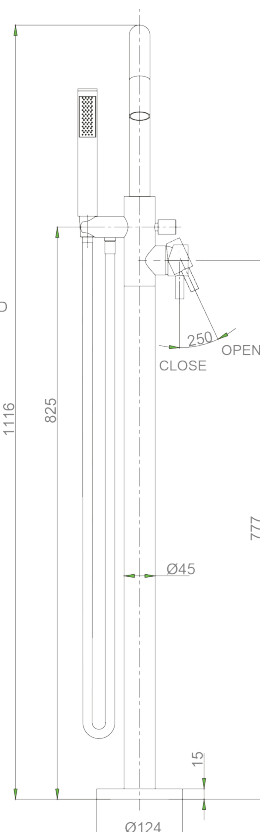
- Dimensions - W338 x H1116 x D338 mm
- Bath shower mixer with kit
- Single lever
- Floor-mounted
- Spout projection 238mm
- Minimum pressure 3 Bar
- Plated brass in Chrome

TECHNICAL SPECIFICATIONS

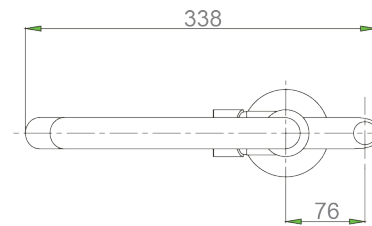
Side View



Front View



Top View



NOTES

- Tapware & accessories not included • No tap holes or overflow. • Please use a contoured waste with all basins. Requires an unslotted waste.
- Drawing indicates the technical measurement only and is not a reflection of how the product will look. Sizes nominal only. Drawings in millimetres. Not to scale. • Tap holes do not come pre-drilled – this is the responsibility of the installer, and can be cut with a hole saw, jigsaw or router. March 2021.