

Mike Pro Basin Tap /

vcbc

DESCRIPTION

Mike Pro Basin Tap

PRODUCT CODE

PR0110DNC

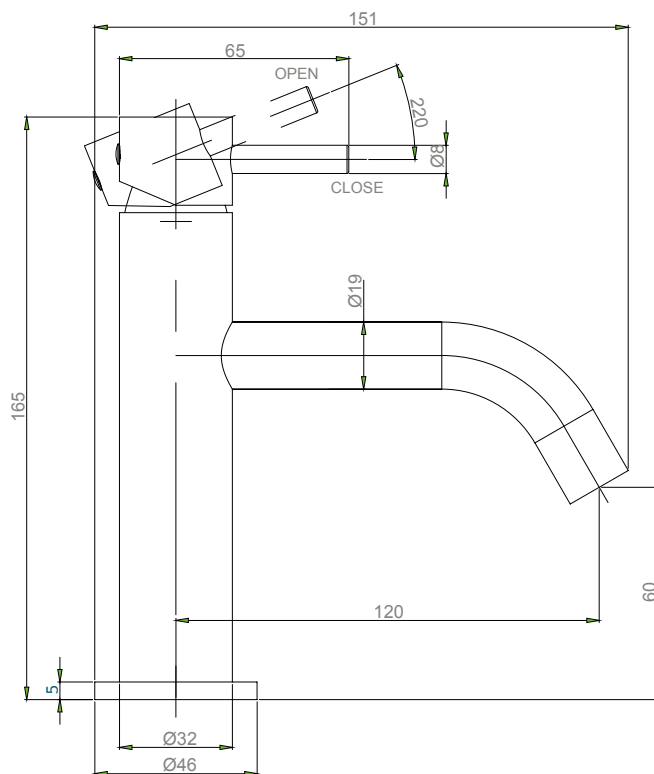


FEATURES

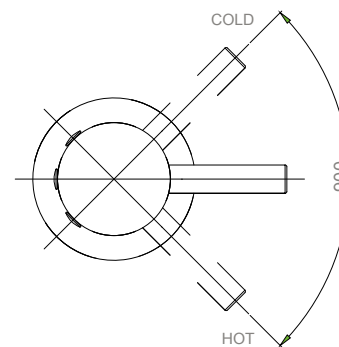
- Dimensions - (W)151 x (H)165 x (D)32 mm
- Single Lever Basin Monobloc (Without pop-up waste)
- Water flow regular as standard
- Regulated to 5LPM (Litres per minute)
- Minimum pressure 0.5 Bar MP
- Plated Brass
- 5 Star WELS Rating

TECHNICAL SPECS

Side View



Top View



NOTES

- Tapware & accessories not included • No tap holes or overflow. • Please use a contoured waste with all basins. Requires an unslotted waste.
- Drawing indicates the technical measurement only and is not a reflection of how the product will look. Sizes nominal only. Drawings in millimetres. Not to scale. • Tap holes do not come pre-drilled – this is the responsibility of the installer, and can be cut with a hole saw, jigsaw or router. March 2021.