

600 HOROI CABINET

LAUNDRY

DESCRIPTION

600 Laundry Cabinet, Horoi Stainless Steel Top, 2 Drawers, White / Melamine

PRODUCT CODE

LUS60S / MS



FEATURES

- Dimensions - W 600mm x H 897mm x D 600mm
- Available in White or Melamine* finishes.
- Kordura tops 25mm thick, available in White, or coloured Kordura tops (10% surcharge applies).
- Unit comes with a tub, cabinet, soft-close drawers and semi handle.
- Pair it with a Lancashire, Stainless Steel, or Inset tub (surcharges applies).
- Recessed Handle options also available in Black or Aluminum (surcharges applies).
- Overhang options also available in left-, right-hand or both side. Custom size available upon request (surcharges applies).
- Our woodgrain Melamine is a low-pressure laminated.

PAINT / MELAMINE FINISHES*



White Paint



Nordic Ash



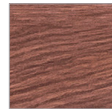
Driftwood



French Oak



Manhattan
Elm



Southern
Oak



Charred Oak

KORDURA TOP FINISHES**



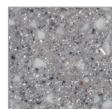
White



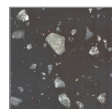
Carrera
Marble



Ice Crystal



Peak Stone



Black Granite

NOTES

*Non-stock item. **10% surcharge applies for coloured Kordura tops. Tapholes do not come predrilled – this is the responsibility of the installer, and can be cut with a hole saw. See reverse page for technical drawings.

600 HOROI CABINET

LAUNDRY

DESCRIPTION

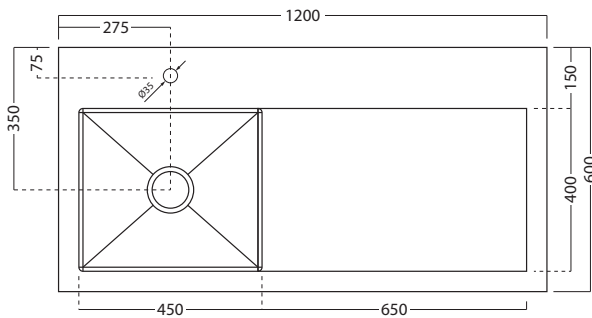
600 Laundry Cabinet, Horoi Stainless Steel Top, 2 Drawers, White / Melamine

PRODUCT CODE

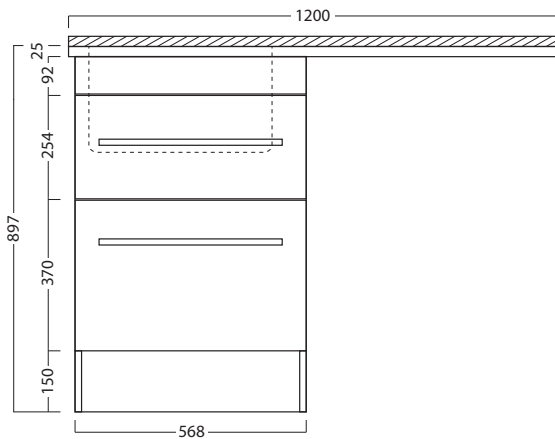
LUS60S / M

TECHNICAL DRAWINGS

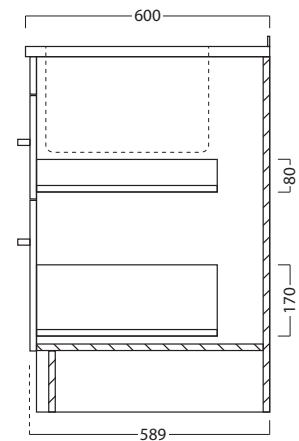
Top



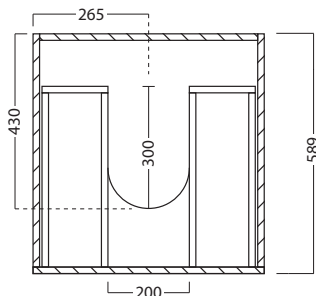
Front



Side Section



Top Section of Drawer



NOTES

Drawing indicates the technical measurement only and is not a reflection of how the unit will look. Sizes approximate. All drawings in millimeters. Drawings not to scale.