

# INSET TUB

# LAUNDRY

## DESCRIPTION

Inset Laundry Tub, White

## PRODUCT CODE

MP803

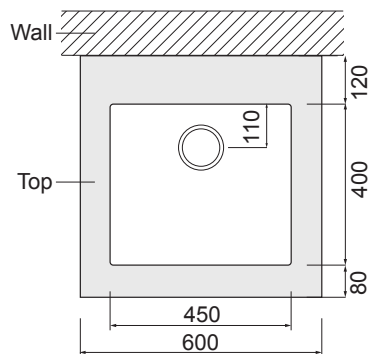


## FEATURES

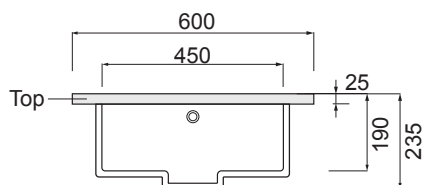
- Dimensions - W 450mm x H 210mm x D 400mm
- Impeccably smooths curves, seamlessly integrated with its top, meaning no silicone joins.
- Manufactured from Kordura with a white matte finish.
- Made with extremely durable, water-, scratch-, heat- and stain-resistant. Hard yet soft to feel, easy-maintained and very hygienic.
- Include a convenient waste basket to trap small objects.
- Pair it with any of our laundry cabinets available in a variety of sizes and finishes.
- NB: Designed for laundry cabinets only (not to be sold separately).
- NB: Tapware not included.

## TECHNICAL DRAWINGS

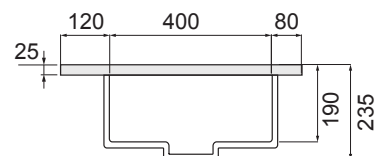
Top



Front



Side Section



## NOTES

Shown above with a Kordura top (for 600 Laundry Cabinet). Sizes approximate. All drawings in millimeters. Drawing indicates the technical measurement only and is not a reflection of how the product will look.