

# LED Light Mirrors

vcbc

## DESCRIPTION

Round LED Light Mirror, 900 x 900 diameter

## PRODUCT CODE

MLO9090



## FEATURES

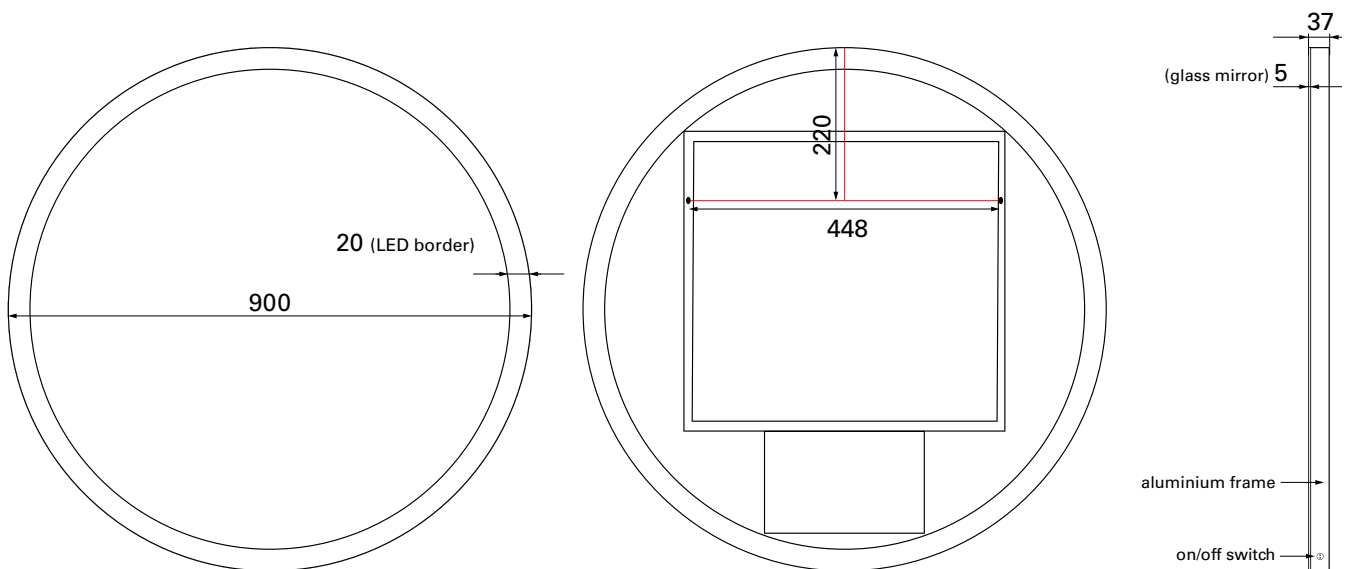
- Dimensions: 900 x 900 dia x D37 mm
- LED edges
- Frosted glass border
- De-mist function
- Full brushed Aluminium frame
- On/off switch, plugs in to wall
- 5mm thick glass
- 25 watts
- Colour: 6500K
- Conforms to NZ/Aus electrical standards, certificate available

## TECHNICAL DRAWINGS

Front

Back

Side



## NOTES

- Drawing indicates the technical measurement only and is not a reflection of how the product will look. Sizes nominal only. Drawings in millimetres. Not to scale. February 2020.