

DESCRIPTION

Metro 500 Wall-Hung Vanity – 2 Doors, White / Timber Veneer

PRODUCT CODE

MEWH / MEWHT



FEATURES

- Dimensions - W 500 x H 480 x D 250mm
- 2 doors wall-hung vanity.
- Ceramic top.
- Right taphole only.
- No overflow.
- Basin can also be available on its own (E08), or with towel rail (Z01R).
- Tapware, waste & accessories sold seperately.

PAINT / TIMBER VENEER* FINISHES



White Paint



White Oak



Blonde Oak



Natural Oak



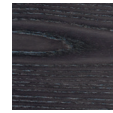
Walnut



Chestnut



Coffee



Noce



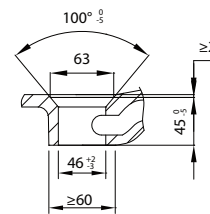
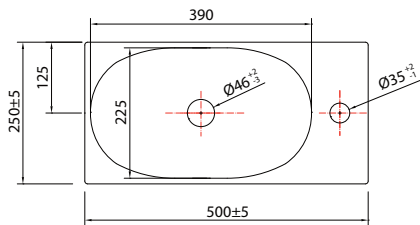
Dark Oak



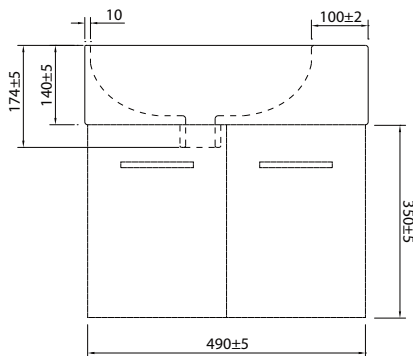
Custom Paint (Gloss/Matte)*^

TECHNICAL DRAWINGS

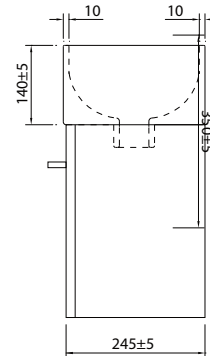
Top



Front



Side Section



NOTES

• *Non-stock item. • ^15% surcharge applies for Custom Paint Colour, 25% for Metallic + Black. • Drawing indicates the technical measurement only and is not a reflection of how the product will look. Sizes are nominal only. All drawings in millimeters. Drawings not to scale. October 2019.