

# Shower Tray Installation Instructions

## Getting Started

**All goods must be checked prior to installation.** If defects are found due to manufacturing faults then goods MUST NOT be installed. The retail merchant must inform the manufacturer.

**The manufacturer will not be liable for any installation, removal or re-decorating costs.** The warranty will be null and void if damage occurs during or after installation. If there is a proven manufacturing defect i.e. outside of tolerance and the installation is carried out then, the manufacturer will replace the item. However, the installation costs will be the responsibility of the installer.

## Tools Required

- ✓ Spirit level
- ✓ Master gun
- ✓ Sharp knife
- ✓ Adhesive – Sika Showerbond & Holdfast Fixall approved
- ✓ Drill & bits
- ✓ Levelling Compound (if required)

## Installation

**Please ensure that you read the attached installation instructions that are specific to the tray that you have ordered.** VCBC has moulded upstands and factory fitted upstands on our shower trays and the installation of the wall linings and positioning of the tray against the wall are critical to ensuring that they are installed in accordance with our installation instructions.

1. Remove tray from packaging and check for freight damage or product faults. Any VCBC shower tray installed with existing damage becomes the responsibility of the installer.
2. Check the installation area for a level floor and correct waste position. Place tray on the area concerned and check levels again. It is the Installers responsibility to make sure that the tray is level on all four sides. Failure to do so will compromise the installation of the liner and the shower enclosure. Use floor levelling compound as and when required or in the case of a wooden floor, plane the area flat and level, as an uneven surface will cause stress upon the acrylic skin and this can lead to de-lamination or cause the shower tray to creak.
3. Check the position of the tray on the level surface – shower trays that are fitted with our factory fitted upstands need to be installed in accordance with our requirements to pack the bottom wall plate up to 6mm to accommodate this. If a tiling strip is being used the tray is installed after the wall lining.
4. Once the waste position has been set up you will need to backfill any hole with concrete and depending upon the size of the hole allow this to dry overnight before you attempt to glue the tray to the floor. If the floor is damp the glue will not adhere to the surface properly and this is easily recognised if any warranty is actioned in the future.
5. Remove the protective film from around the outside edge and centre and apply the adhesive onto the back of the tray ensuring good even coverage to gain maximum adhesion over a large surface area. Thin lines or small blobs will not create the adhesion to the floor that is required and this may lead to the tray creaking when moving around inside the enclosure.
6. Turn the tray over, place into final position and tighten up the Easiclean waste.
7. Use the packaging to cut a protective cover for the shower tray and then place bags of Mortamix or similar on the tray to ensure an even spread of weight whilst the adhesive cures.
8. Leave overnight as a minimum before installing the shower doors and wall linings.
9. The walls and upstand area will require a waterproof membrane if tiles are to be installed.

## After Care

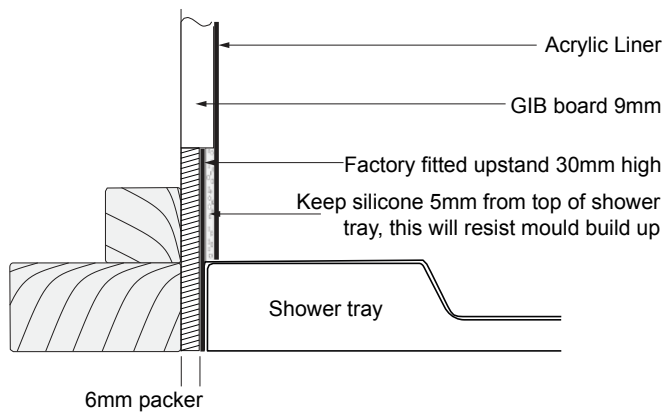
Providing the shower tray has been correctly installed, difficulties should not be encountered. If any maintenance is required then it must be carried out by a qualified Plumber or Engineer.

It is advised that the shower tray is cleaned regularly, to remove any insoluble products. Hot soapy water should be used and then the tray should be wiped. Cleaners of gritty or abrasive nature should not be used.

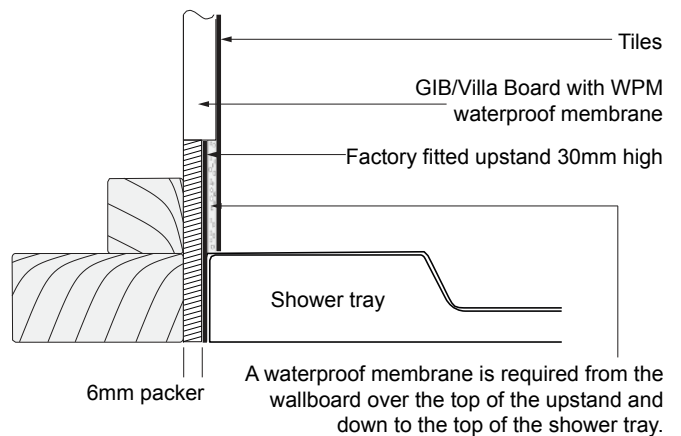
The acrylic surface of this shower tray has good resistance properties to acids but should not come into contact with alkalis or organic solvents, such as a caustic soda, dry cleaning agents and paint strippers.

## Wall Liner Installation

### Shower Liner Installation with a Factory-Fitted Upstand and an Acrylic Wall Liner

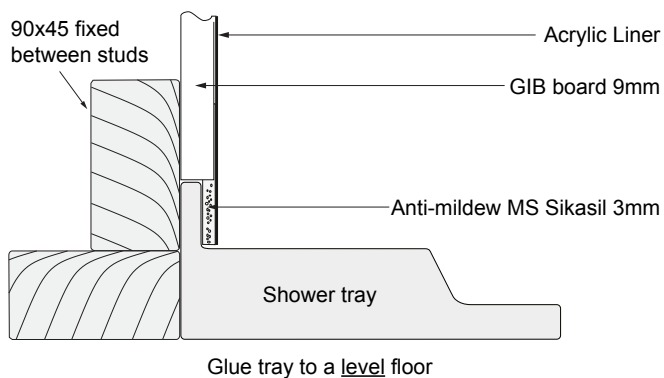


### Shower Liner Installation with a Factory-Fitted Upstand with a Tiled Wall

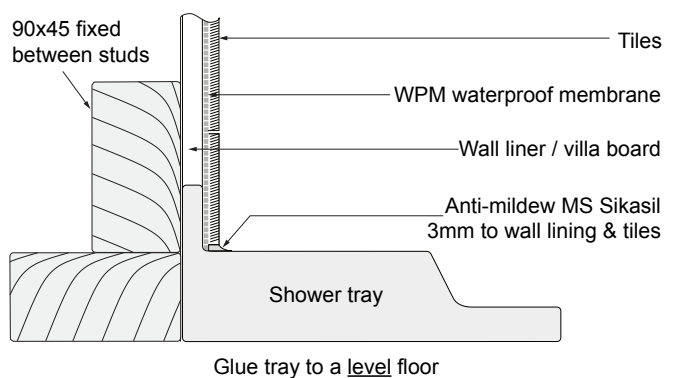


## Moulded Upstand Shower Tray Installation

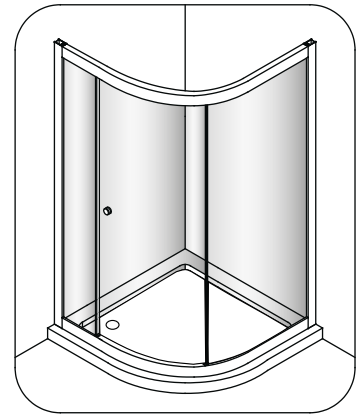
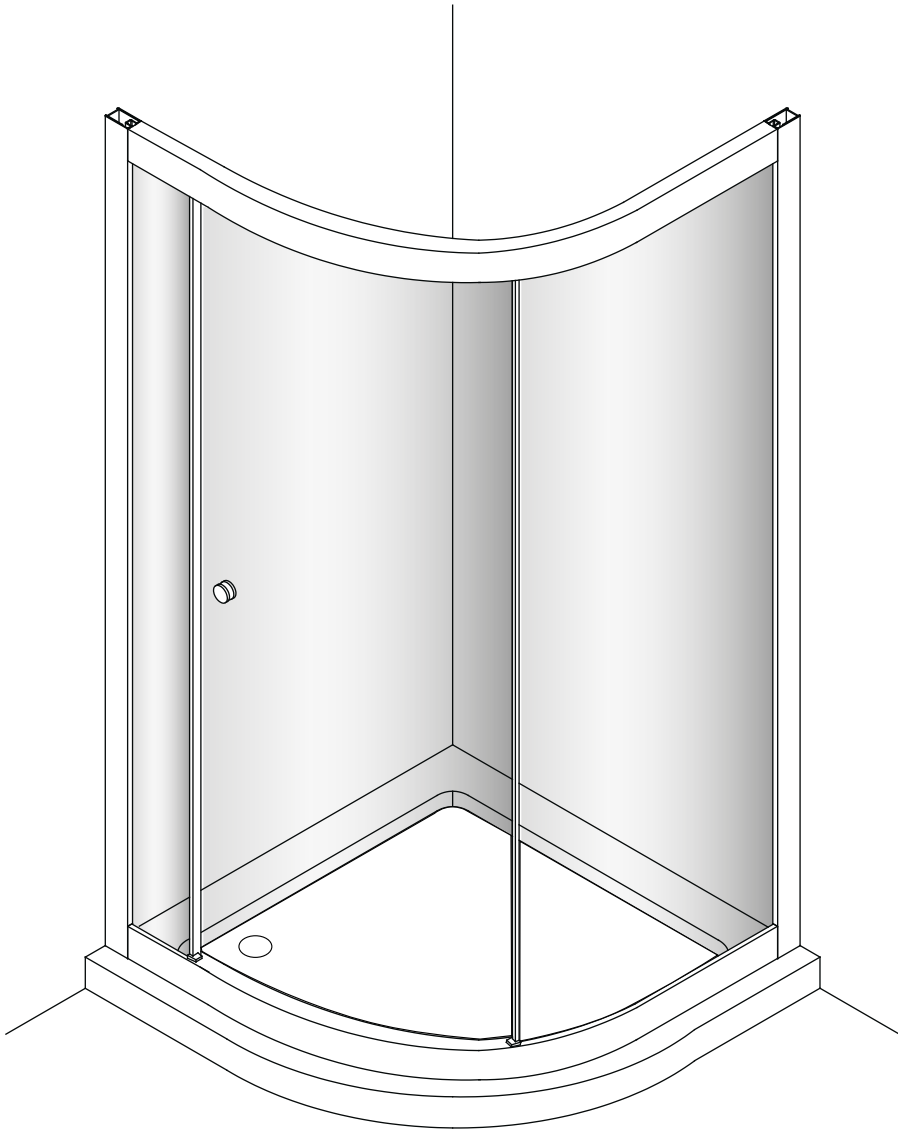
### Shower Liner Installation with a Moulded Upstand and Acrylic Wall Liner



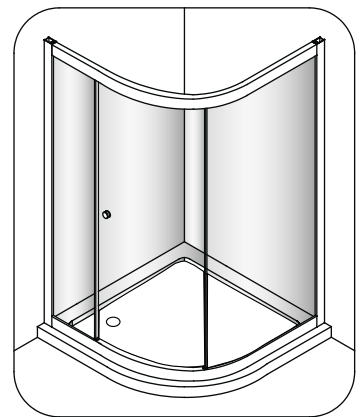
### Shower Liner Installation with a Moulded Upstand with a Tiled Wall



# LUCCA QUADRANT SINGLE DOOR



900mm x 900mm Quadrant



1000mm x 1000mm Quadrant

## INSTALLATION INSTRUCTIONS

## IMPORTANT - Please read before installation

**Please read these instructions carefully before starting installation and keep in a safe place for future reference.**

Check the contents of the pack carefully before installation. Bath Co will not be held responsible for any de-fit / re-fit costs where faulty product has been fitted.

If any fault is found with materials or workmanship, it must be reported immediately to the manufacturer. Remedial action will be taken, based on information received, on condition that:

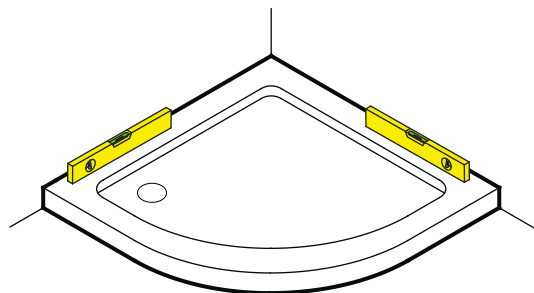
1. Full details are supplied to the manufacturer;
2. The enclosure has not been modified or tampered with;
3. The manufacturer is informed of any damage/shortages prior to installation.

We do not accept responsibility for any problems that may occur through incorrect installation.

The success of the installation and operation of any shower enclosure is, of course, dependant on the squareness, alignment and construction of the walls to which fixing is to be carried out.

### VERY IMPORTANT

You must complete all tiling and grouting, and the shower tray **MUST** be level and fully sealed to the tiles before installation. If you do not fit the enclosure onto a tiled surface, or seal the tiles to the tray before installation, water may soak into the wall behind the wall profiles.



## INSTALLATION - Advice and safety

The installation instructions are based on typical use and conditions.

These products come with the two wall channels pushed onto each side of the glass panel frame.

These hints have been prepared for your guidance, you must exercise due care at all times.

For Health and Safety 2 people must carry out the installation of this enclosure.

Handle glass with care. Although the glass supplied is toughened safety glass (EN12150), impacts can damage both the glass and the frame.

### Warning!

Please check for any hidden pipes or cables before drilling holes in the wall.

To stop the drill bit slipping, masking tape can be applied to the tiles when preparing the holes.

When using power tools always follow the manufacturers user instructions.

Do not sit the enclosure on a bed of silicone, as this will also stop any water from draining back into the tray.

If the enclosure is sealed to the tray on the inside, any water that may get into the framework will not be able to drain back into the tray, this may cause the enclosure to leak.

Leave the silicone sealant to dry for 24 hours before using the enclosure.

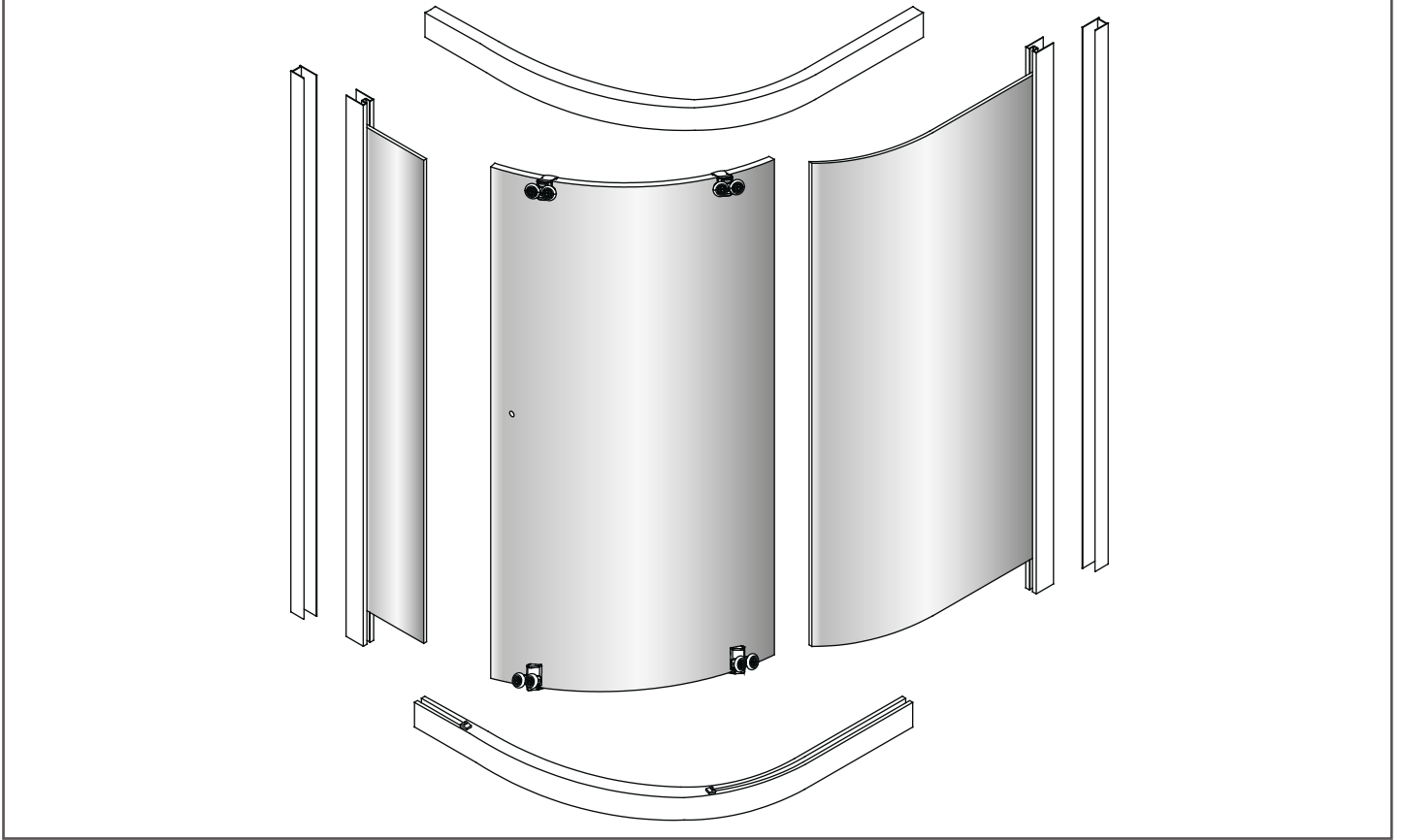
## CARE AND CLEANING

Do not use solvents or abrasive material or chemicals to clean the enclosure.


Only clean using soapy water and a soft cloth, rinse thoroughly afterwards.

# CONTENTS

## QUADRANT SINGLE DOOR



**A**  ST4 \*50mm Screw x 6

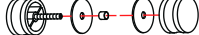
**B**  Wall Plug x 6

**C**  ST4 \*12mm Screw x 6

**D**  Washer x 6

**E**  Cover x 6

**F**  ST4 \*30mm Screw x 8

**G**  Handle x 1

**H**  Waterproof strip II x 1

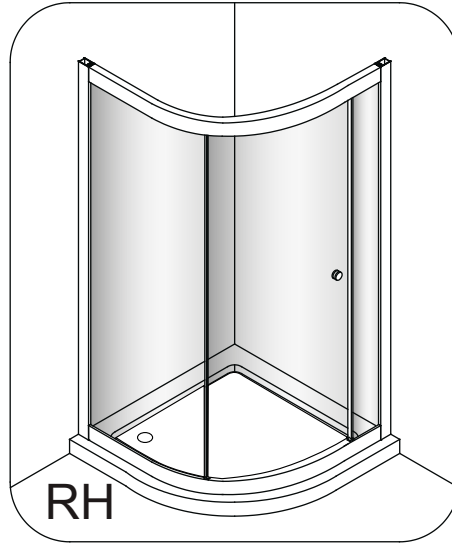
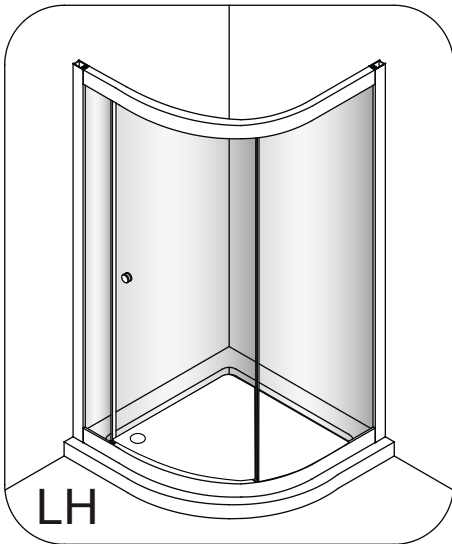
**I**  Waterproof strip I x 1

**J**  Waterproof strip (door) x 1

**K**  Spanner x 1

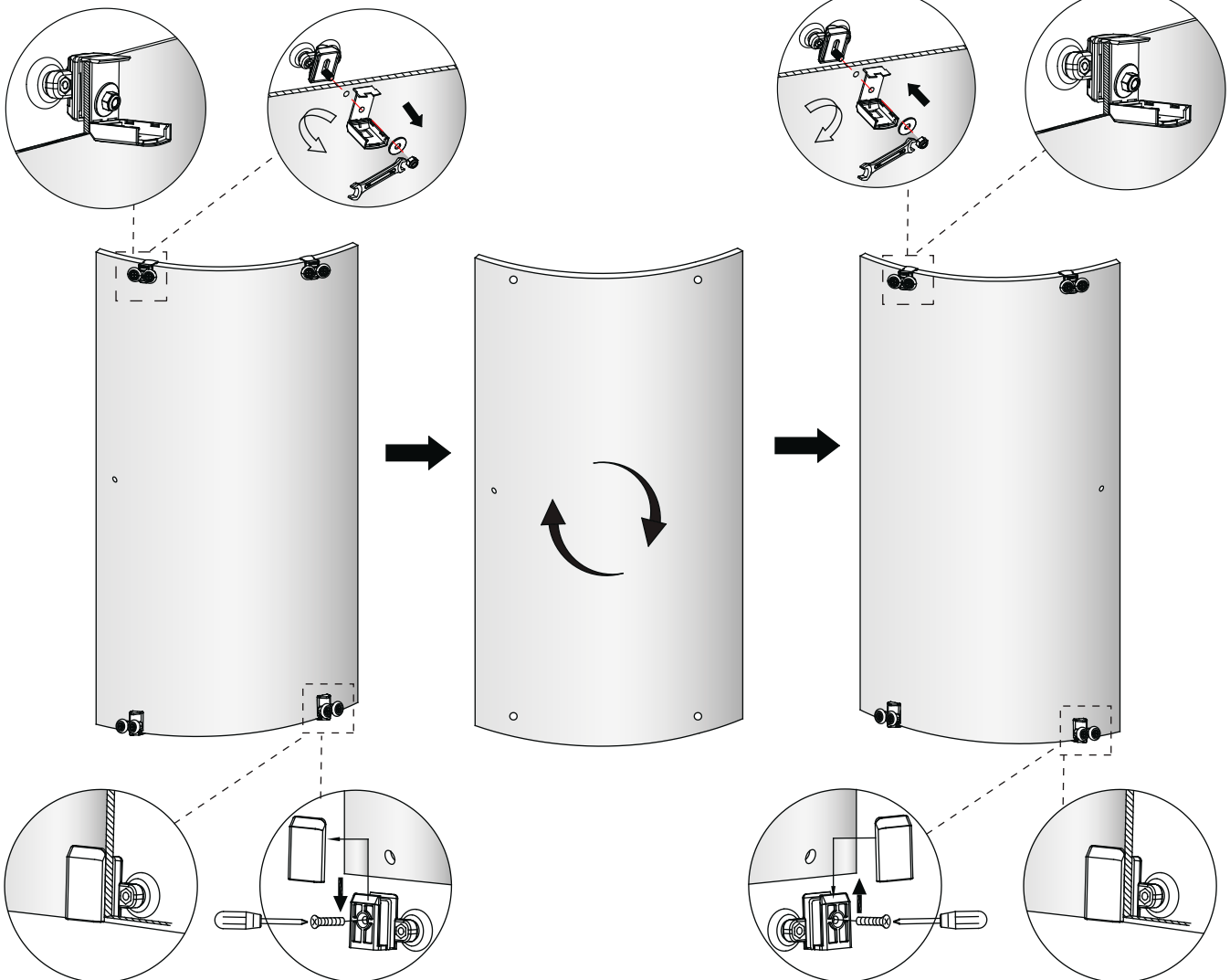
### Tools and equipment needed

Drill, 6mm Masonry drill bit, 3.0mm General drill bit, Philips screwdriver, Spirit level, Pencil, Tape measure, Silicone sealant.

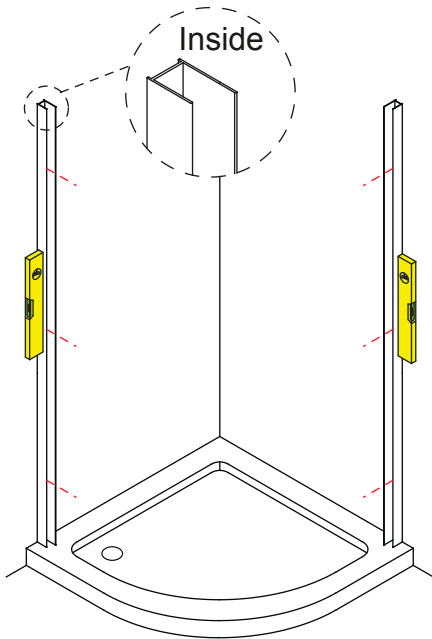


**The Quadrant shower enclosure is reversible for left or right hand fitting. While the installation of the enclosure is LH, You just ignore the diagram below. For the RH installation, the diagram below should be followed.**

- 1: Disassemble the top and bottom roller using the tool (K).
- 2: Turn the glass up side down.
- 3: Reinstall the top and bottom roller.



## Step 1 - FITTING AND POSITIONING WALL CHANNEL

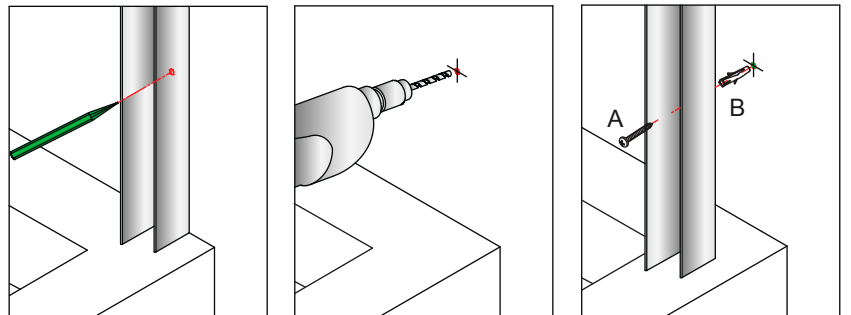


Remove both wall channels from the glass panel frame. **Note:** Ensure the longer leg of each wall channel is on the inside of the enclosure when fixing. Place each wall channel in position on the tray (10 - 15mm in from the outer edge of the tray), use a spirit level to ensure that they are vertical and mark all 6 fixing holes onto the wall.

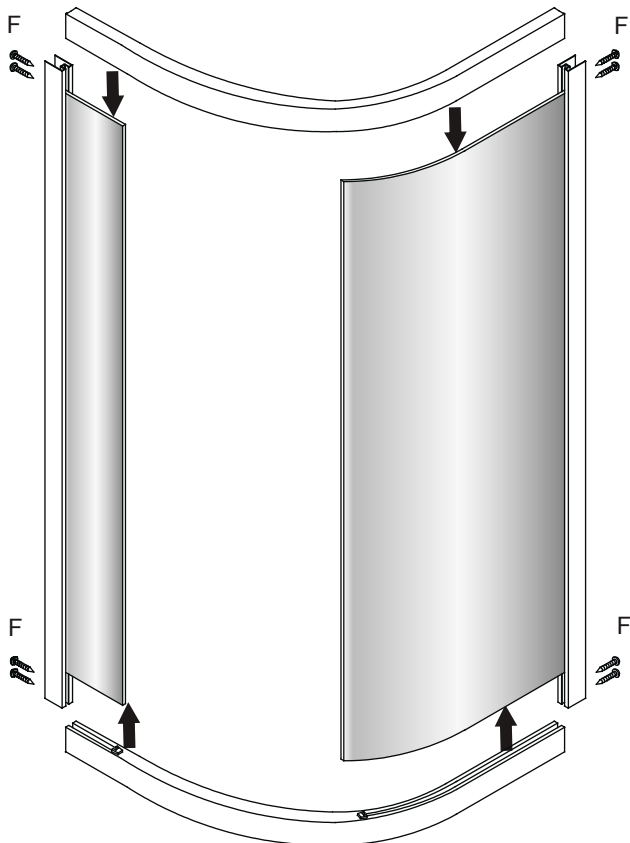
Drill holes in the positions marked using a 6mm masonry drill bit. Insert wall plugs (B) into all of the holes (beyond the thickness of the tile).

Fix the wall channels to the wall using 6 screws (A).

**Note:** Inject silicone sealant into the holes before inserting the screws to seal the holes.

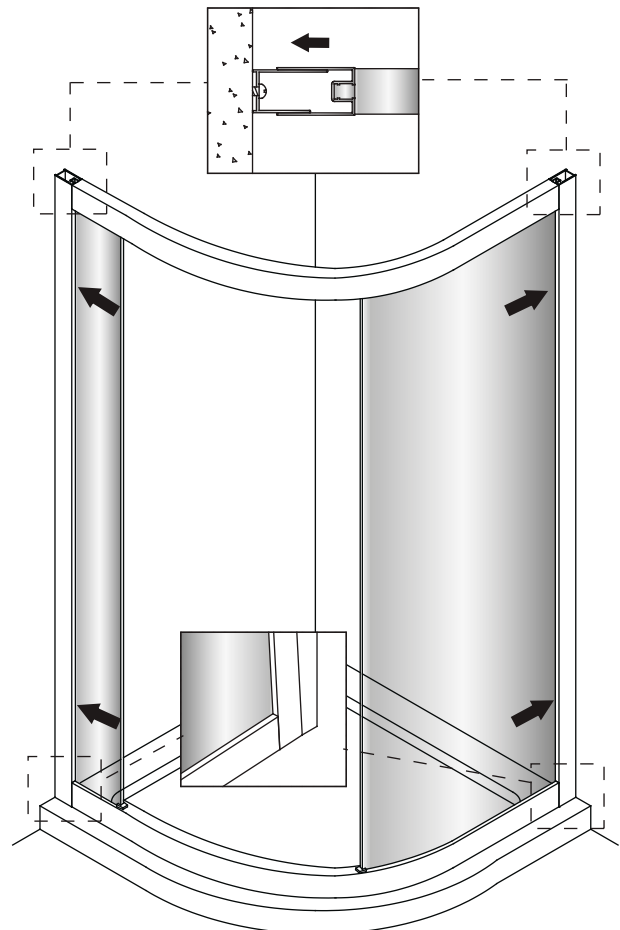


## Step 2



## Step 3

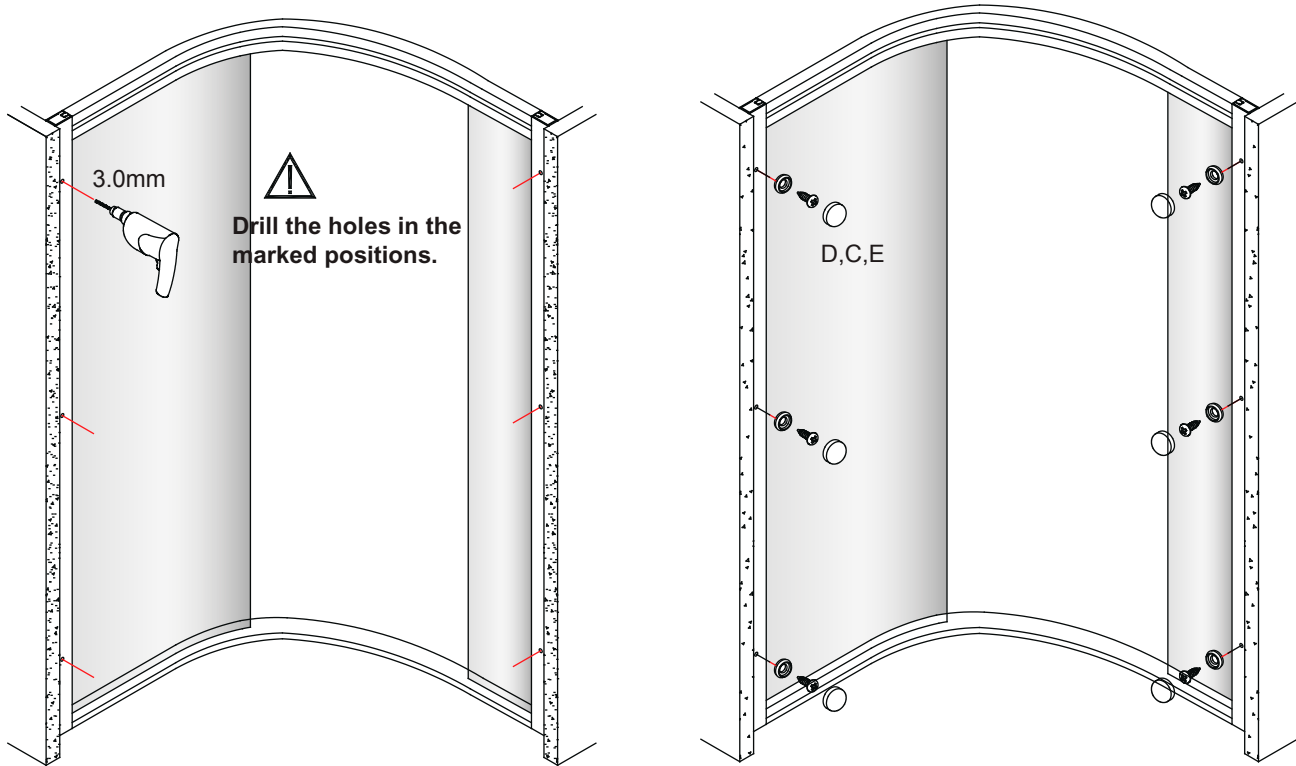
Push the glass panel frames onto the wall channels.



## Step 4

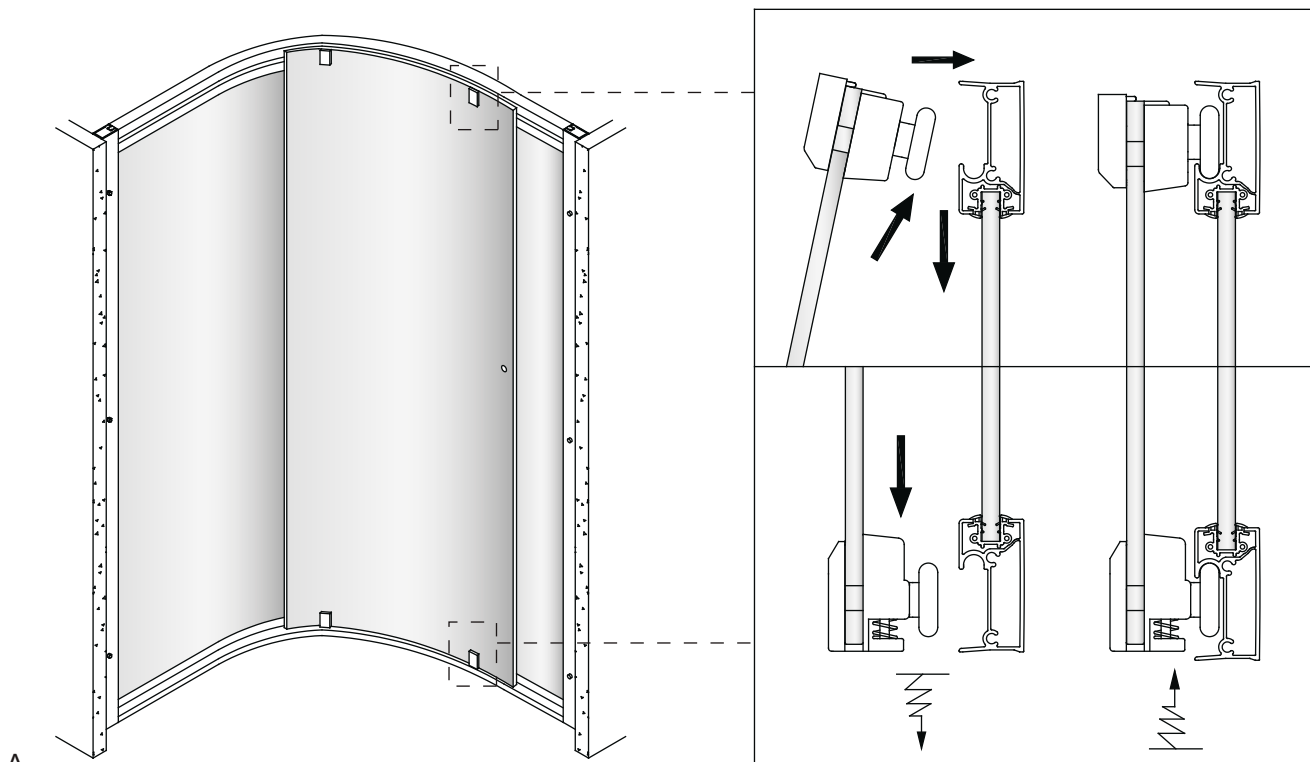
Once you have checked that the glass panel frames centred between the wall channels and also sit horizontally and vertically, fix the glass panel frames to the wall channels.

From inside, drill 3 holes through the glass panel frame ( **in the marked positions**) into the wall channels using a 3.0mm drill bit . Fix using washers (D), screws (C) and push on the screw covers (E).



## Step 5

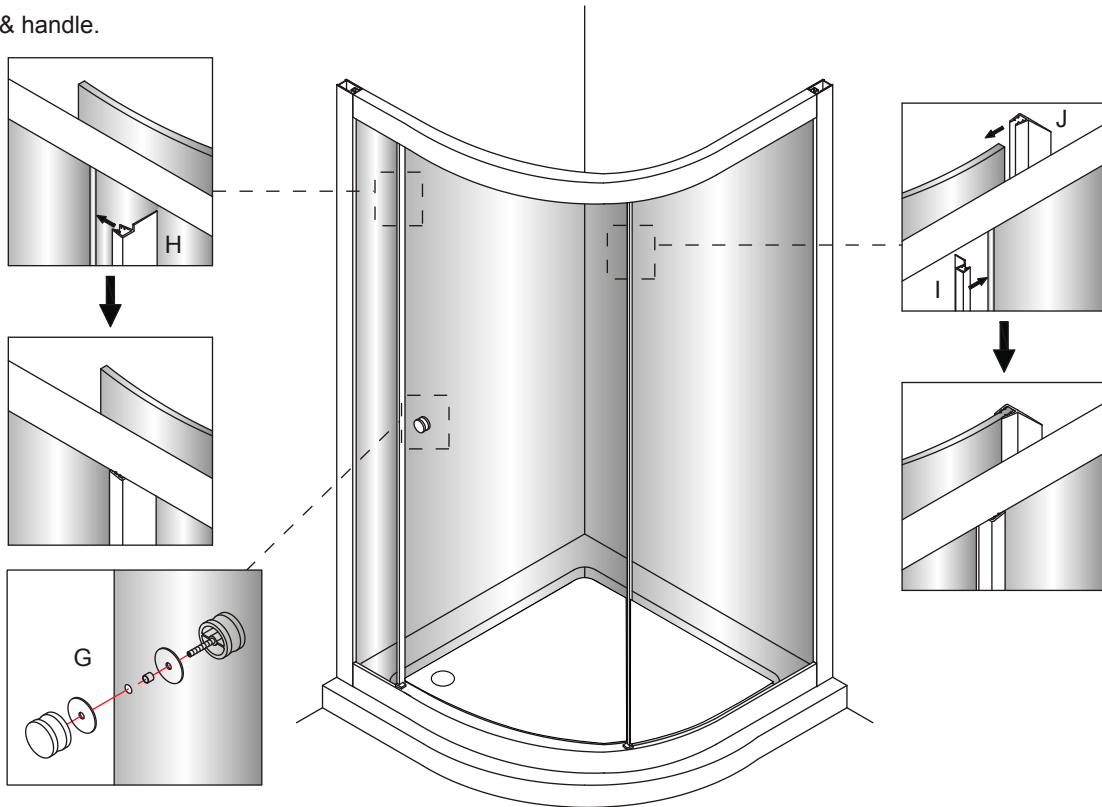
Firstly mount the top roller to the track, then press down the bottom roller to make it into the bottom track.





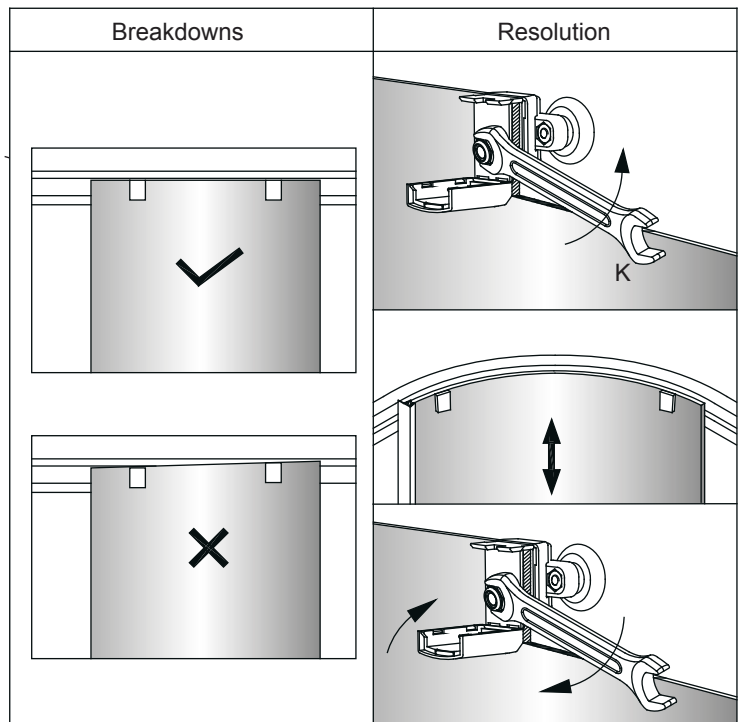
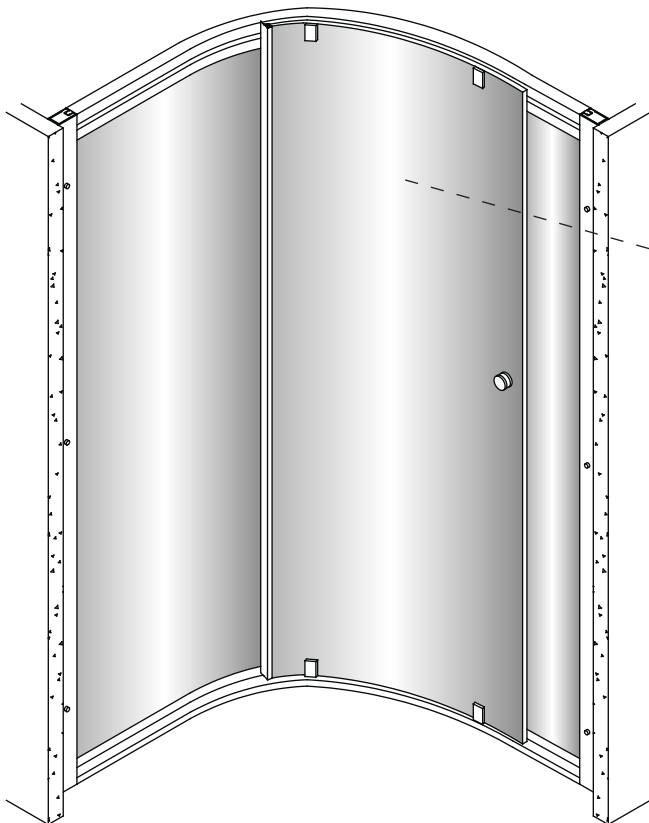
## Step 6

Fix the seals & handle.

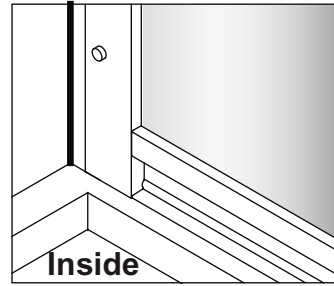
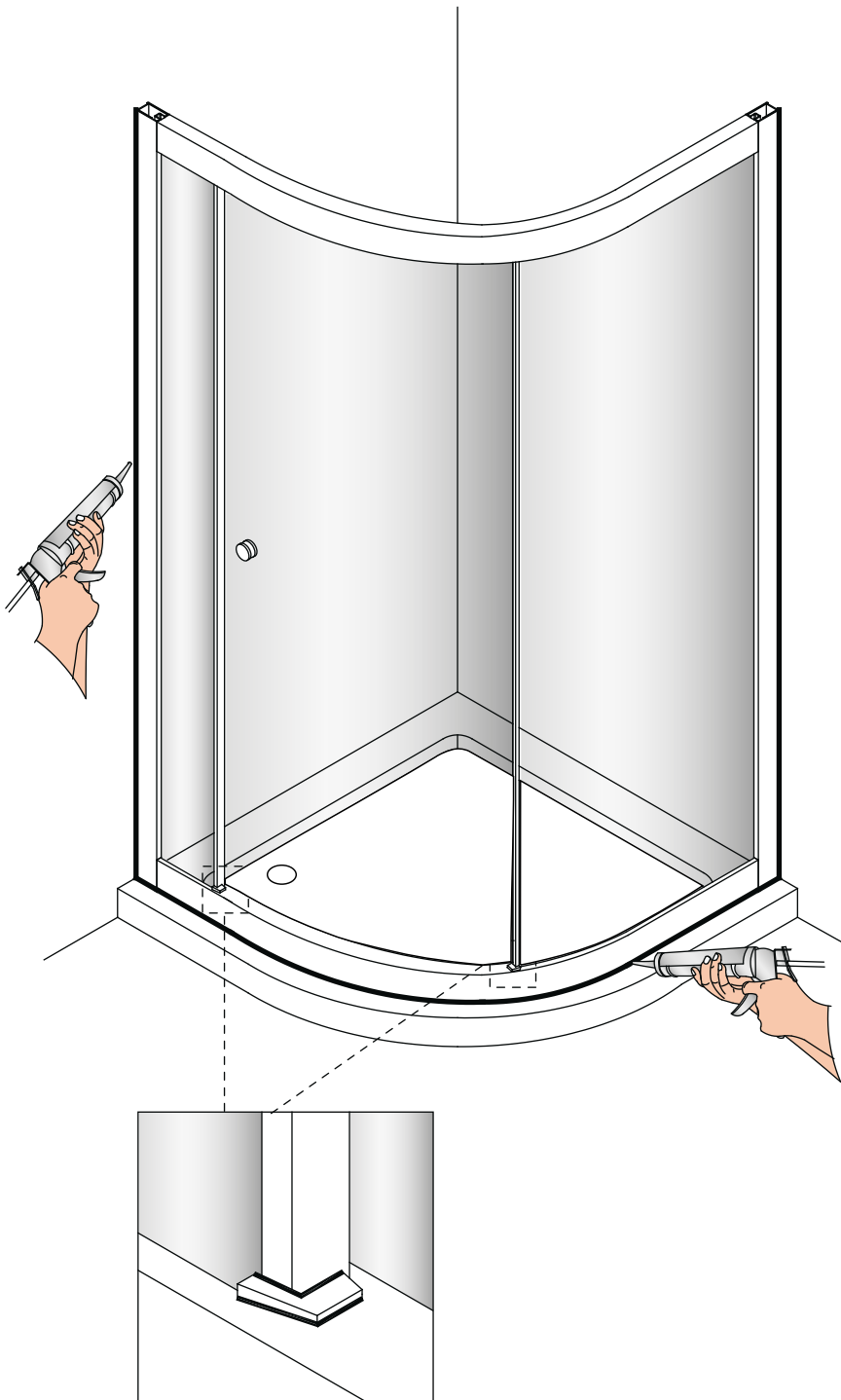


Only adjustment is required.

Please check that if the sliding door is skew or it can not work perfectly. Loosen the top roller and adjust the sliding door for fitness. The nut of top roller must be tightened after having the sliding door adjusted vertically and make it work perfectly.



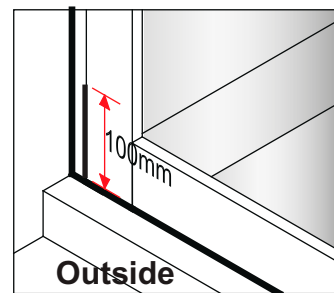
## Step 7



### Sealing inside:

Run a line of silicone sealant from top to bottom down the joint between the wall channels and tiles.

**Do not seal the enclosure to the tray on the inside.**



### Sealing Outside:

Run a line of silicone sealant from top to bottom down the joint between the wall channels and tiles.

**Note:** If required you can also run a line of silicone sealant 100mm up the joint where the door slots onto the wall channels.

