

## DESCRIPTION

Laundry Top End Wall Support Bracket

## PRODUCT CODE

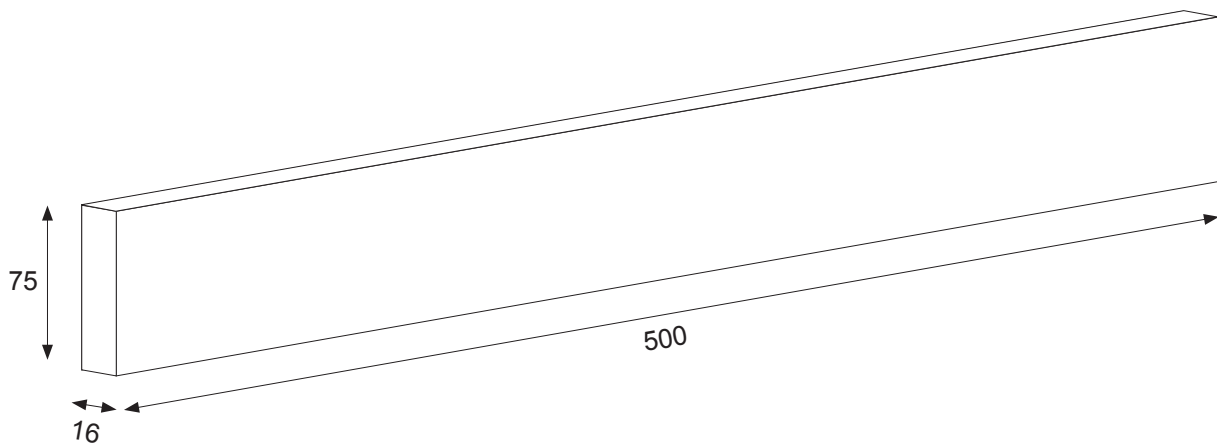
LES



## FEATURES

- Dimensions - W 500 x H 75 x D 16 mm
- Support your Kordura laundry top with a wall support bracket – a baton that is attached to the wall and runs along the back edge of the laundry top.

## TECHNICAL DRAWINGS



## NOTES

See our website for product prices. Drawing indicates the technical measurement only and is not a reflection of how the product will look. Sizes are nominal only. All drawings in millimeters. Drawings not to scale. September 2021.