

# OPEN SHELF /

# LAUNDRY

## DESCRIPTION

600 Open Shelf

## PRODUCT CODE

LTOS60 / LTOS60M / LTOS60T / LTOS60CC



**Dimensions** W 600 x H 710 x D 290 (mm)

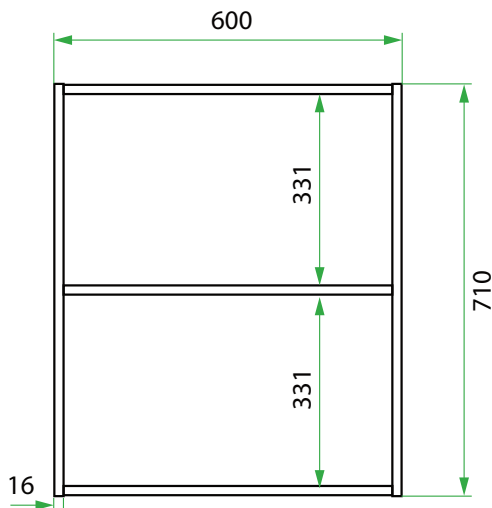
**Finishes** White Gloss or Custom Colour Paint\*, Melamine or Timber Veneer

**Origin** New Zealand made cabinetry

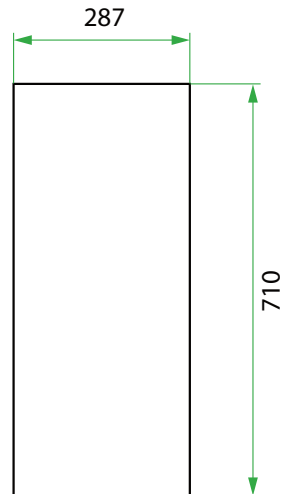
**Notes** See website for finish colours. Accessories not included.

## TECHNICAL DRAWINGS

Front



Side



## NOTES

\*Additional Cost. Accessories not included. See our website for product prices. Drawing indicates the technical measurement only and is not a reflection of how the product will look. Sizes are nominal only. All drawings in millimeters. Drawings not to scale. June 2023.