

# Claremont

# Burlington®

## DESCRIPTION

Kensington Basin Mixer with High Central Indice and Click-Clack Push Button Waste

PRODUCT CODE

KE6-C

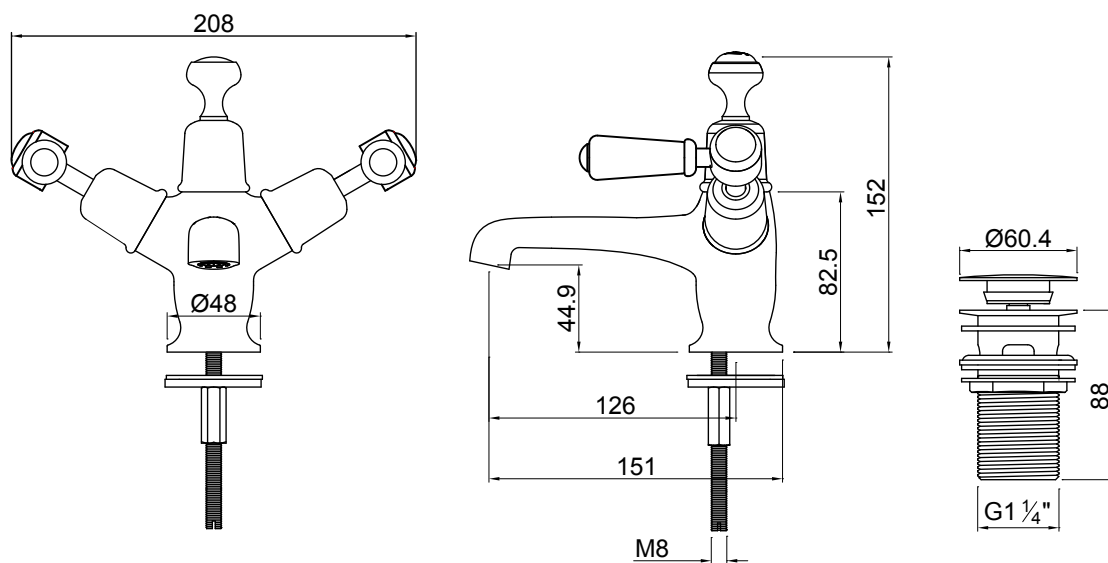


## FEATURES

Dimensions - W208 x H152 x D151 mm

- Brass body, chrome finish
- 1.85 kg (tap)
- Tap valves available with traditional screw down valves or with quarter turn valves. For quarter turn taps simply add 'QT' to the product code.
- White ceramic Kensington tap handles, also available with Claremont tap handles (CL4-C).
- Works with both low and high pressure –  
Supplied with flow straightener - this is for use with low water pressure, and neoperl aerator - this is for use with high water pressure.
- 2 star WELS rating

## TECHNICAL DRAWINGS



## NOTES

Drawing indicates the technical measurement only and is not a reflection of how the unit will look. Sizes are nominal only. All drawings in millimeters. Drawings not to scale. November 2019.