

In-Wall Cistern

vcbc

DESCRIPTION

Pneumatic In-Wall Cistern (for Floor-Standing Toilets)

PRODUCT CODE

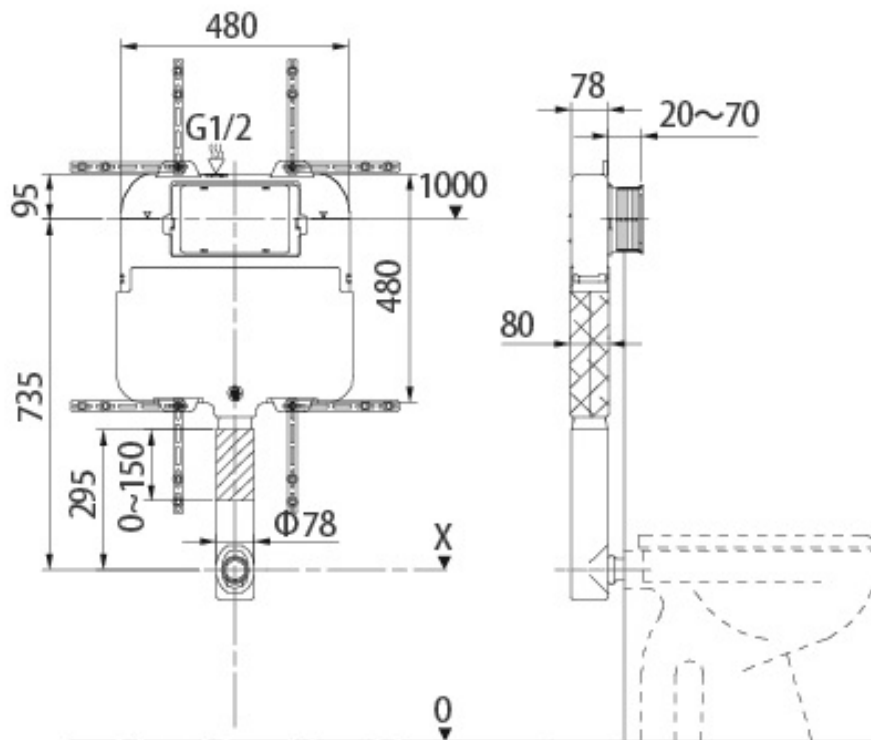
K301Q-D



FEATURES

- Dimensions - W480 x H830 x D78 mm
- Pneumatic cistern
- Thickness of cistern is 78mm
- Fits with our pneumatic actuator flush plates
- Ideal for our Onda Accessible toilets
- Surface of cistern is covered by foam, to prevent droplet formation
- 6/3L, 4.5/3L, 4/2L adjustable
- 4 star WELS rating
- The inlet hole location is on the top
- Feet height infinitely adjustable 0–150mm

TECHNICAL DRAWINGS



NOTES

Drawing indicates the technical measurement only and is not a reflection of how the product will look. Sizes nominal only. Drawings in millimeters, not to scale. Feb 2020.