

# In-Wall Cistern

vcbc

## DESCRIPTION

Low Level Concealed In-Wall Cistern for Floor Standing Toilets

## PRODUCT CODE

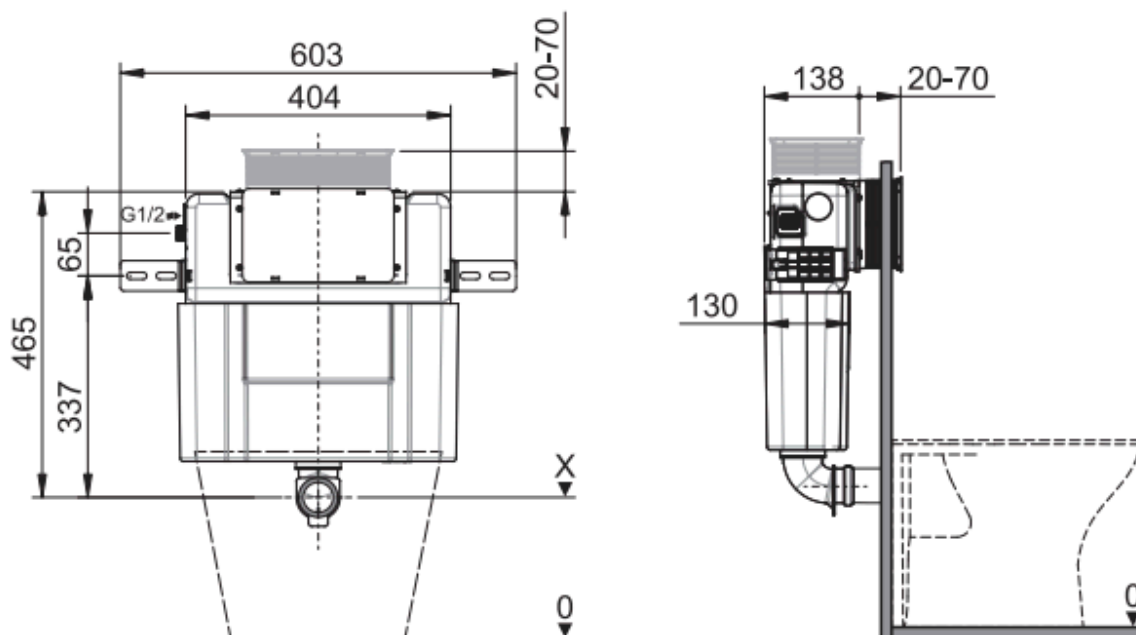
K210-D03



## FEATURES

- Dimensions - W404 x H465 x D130 mm
- Front and top actuation optional
- Thickness of cistern is 130mm
- Fits with actuator flush plates
- Surface of cistern is covered by foam, to prevent droplet formation
- 6/3L, 4.5/3L adjustable, 4 star WELS rating
- The inlet hole location is on the left
- Can be modified into pneumatic version cistern
- Pair with our round or rectangle flush plates, available in White, Chrome High Gloss, Chrome Matt, or Black, or pneumatic flush plates, available in White Glass or Brushed Stainless Steel (all sold seperately).

## TECHNICAL DRAWINGS



## NOTES

Drawing indicates the technical measurement only and is not a reflection of how the product will look. Sizes nominal only. Drawings in millimeters, not to scale. March 2020.