

In-Wall Cistern

vcbc

DESCRIPTION

Low Level Concealed In-wall Cistern

PRODUCT CODE

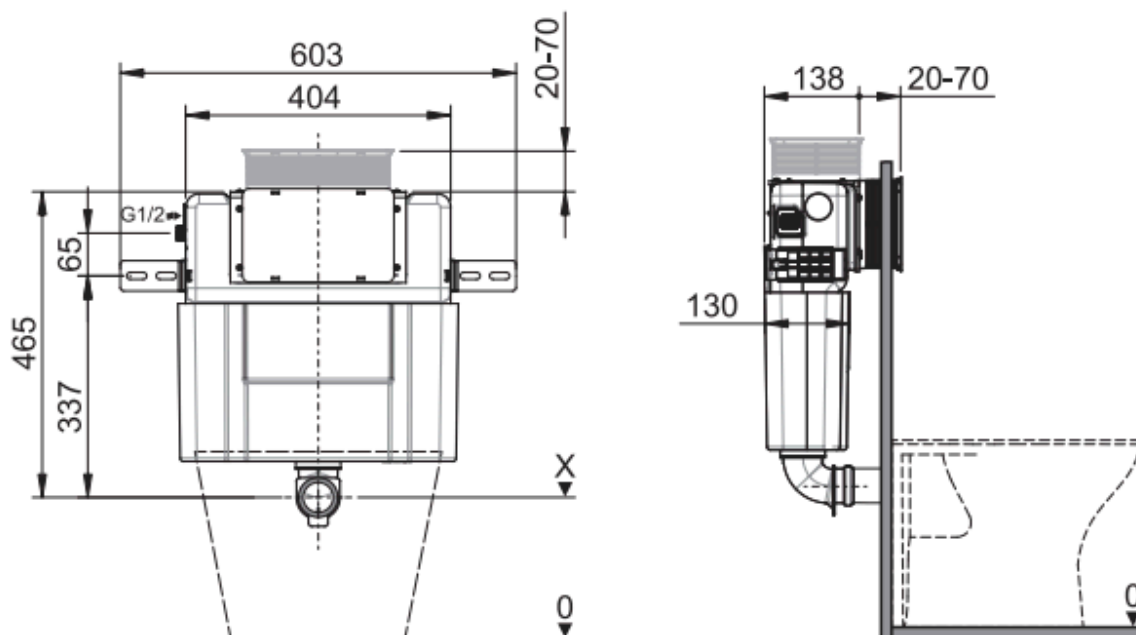
K210-D03



FEATURES

- Dimensions - W404 x H465 x D130 mm
- Thickness of cistern is 130mm
- Surface of cistern is covered by foam, to prevent droplet formation
- 6/3L, 4.5/3L adjustable
- The inlet hole location is on the left
- Pair with our round or rectangle flush plates, available in White, Chrome High Gloss, Chrome Matt, or Black (sold separately).

TECHNICAL DRAWINGS



NOTES

Drawing indicates the technical measurement only and is not a reflection of how the product will look. Sizes nominal only. Drawings in millimeters, not to scale. August 2019.