

LED Light Mirrors

vcboc

DESCRIPTION

Rectangle LED Light Mirror, L1200 x H800

PRODUCT CODE

IL1512080



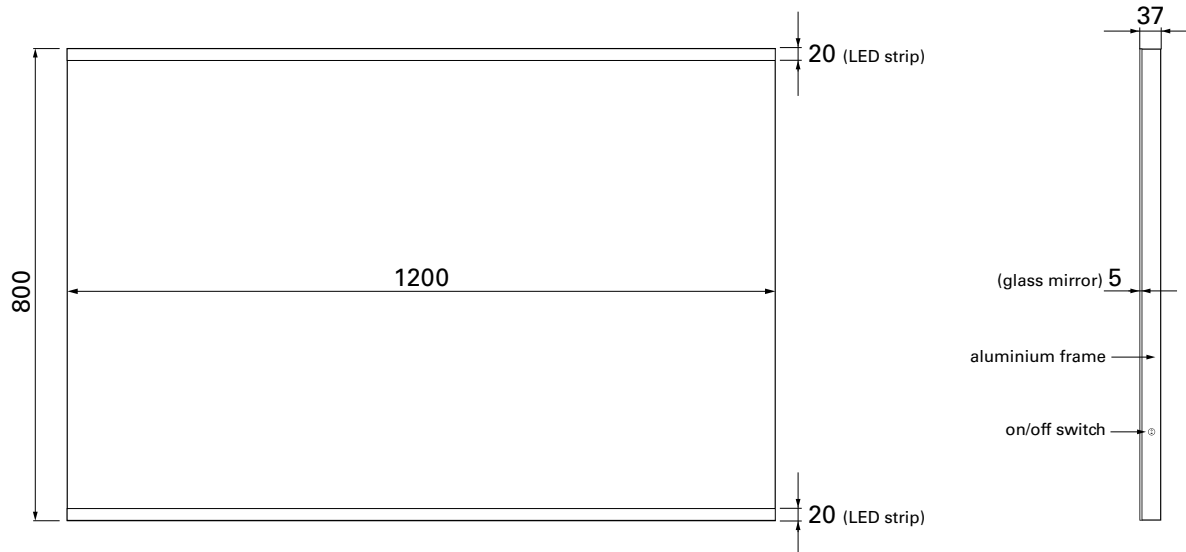
FEATURES

- Dimensions: W1200 x H800 x D37 mm
- LED edges
- Frosted glass strips (top/bottom)
- De-mist function
- Full brushed Aluminium frame
- On/off switch, plugs in to wall
- 5mm thick glass
- Can be mounted vertically or horizontally
- 36 watts
- Colour: 4700K
- Conforms to NZ/Aus electrical standards, certificate available

TECHNICAL DRAWINGS

Front

Side



NOTES

- Drawing indicates the technical measurement only and is not a reflection of how the product will look. Sizes nominal only. Drawings in millimetres. Not to scale. February 2020.