

## DESCRIPTION

Soft 800 Wall-Hung Vanity, 2 Drawer, White / Melamine

## PRODUCT CODE

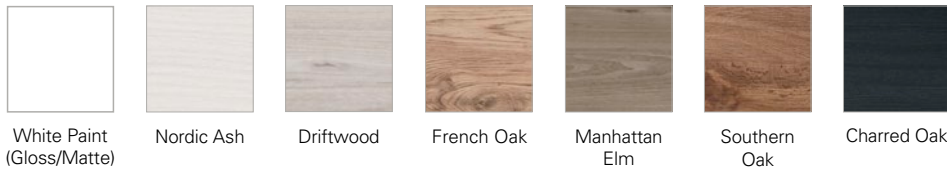
FT80D2WH / M



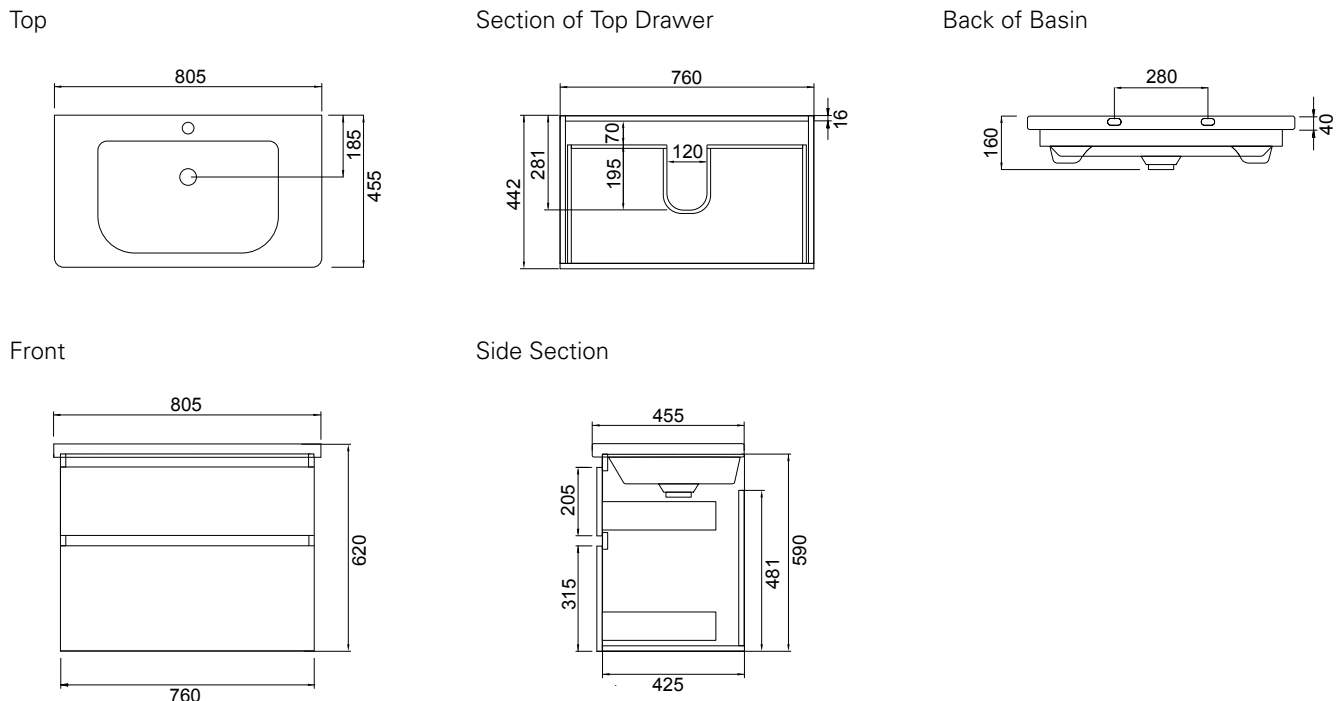
## FEATURES

- Dimensions - W 805 x H 620 x D 455mm
- Available in White paint (Gloss/Matte\*^ ) or Melamine\*
- The paint used on our products is polyurethane or UV based. It is five times harder and more durable than lacquer finishes.
- Timber Effect Melamine: Our wood grain melamine is a low-pressure laminate.
- Ceramic basin from Europe, NZ-made cabinetry.
- New depth in drawers offers more convenient storage
- Soft-close drawer/s with handleless design.
- Handleless design. Available with Aluminium Rails (Silver / Black) for a contrasting finish. Or pair with Semi Handle/s (H2) (additional cost).
- Includes Fischer fixing bolt set – basin must be secured to the wall.

## PAINT ^ / MELAMINE\* FINISHES



## TECHNICAL DRAWINGS



## NOTES

- \*Non-stock item • ^15% surcharge applies for Matte White paint • Must use bottle traps to ensure drawers open, we recommend 40551-32 bottle trap
- Please use a contoured waste with all china basins, we recommend A27, PUW68R or FT41045 wastes. • Tapware & accessories not included • Drawing indicates technical measurement only and is not a reflection of how the product will look. Sizes nominal only. Drawings in millimetres. Not to scale. Nov 2019.